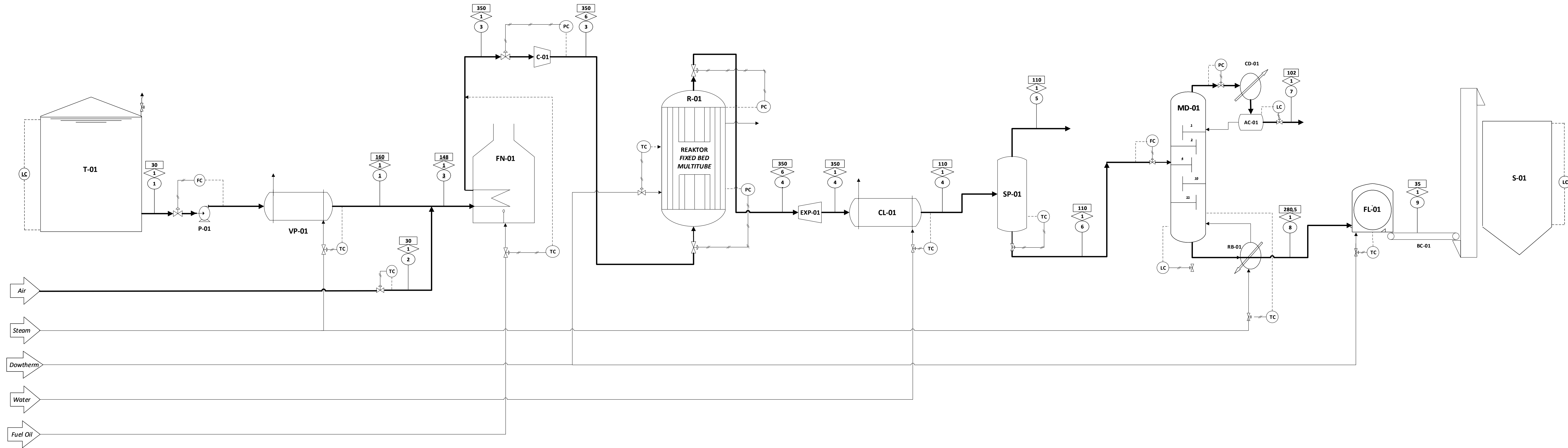


PROCESS ENGINEERING FLOW DIAGRAM

PRA RANCANGAN PABRIK PHTHALIC ANHYDRIDE DARI O-XYLENE DAN UDARA

KAPASITAS 24.000 TON/TAHUN



Keterangan	Nomer Arus (Kg/Jam)								
	Arus 1	Arus 2	Arus 3	Arus 4	Arus 5	Arus 6	Arus 7	Arus 8	Arus 9
Ar		1,1183	1,1184	1,1184	1,1184	0,0000			
CO		781,3484	781,3484	1380,1334	1380,1334	0,0000			
CO ₂		1,2302	1,2303	1173,3592	1173,3592	0			
C ₄ H ₂ O ₃				120,4157	75,3887	45,0270	45,0270	0	0
C ₅ H ₆ O ₄				3,9944	0,0057	3,9887	0	3,9887	3,9887
C ₇ H ₆ O ₂				29,9884	3,7333	26,2551	26,2551	0	0
C ₈ H ₄ O ₃				3515,1577	499,6249	3015,5328	3,0155	3012,5173	3012,5173
C ₈ H ₆ O ₂				8,2345	0,5865	7,6480	0	7,6480	7,6480
C ₈ H ₈ O ₂				7,1283	0,7387	6,3897	6,3833	0,0064	0,0064
H ₂ O				1866,5942	1828,6968	37,8973	37,8973	0	0
N ₂		16441,1996	16441,1996	16441,1996	16441,1953	0,0043	0,0043		
O ₂		69788,5975	69788,5976	65723,1084	65722,9338	0,1746	0,1746		
M-xylene	783,9090		783,9090	783,9090	733,7105	50,198502	50,1985	0	0
O-xylene	3258,5671		3258,5671	1,6293	1,5081	0,1212	0,1212	0	0
Total	4042,4761	87013,4940	91055,9704	91055,9704	87862,7332	3193,2372	169,0768	3024,1604	3024,1604

KETERANGAN SIMBOL	
○	Nomor Arus
□	Suhu (°C)
◇	Tekanan (atm)
⊗	Expansion Valve
---	Arus Listrik
—	Arus Bahan
//	Arus Udara Tekan
FC	Flow Control
PC	Pressure Control
TC	Temperature Control
LC	Level Control

KETERANGAN ALAT	
R	Reaktor
FL	Flaker
FN	Furnace
VP	Vaporizer
SP	Separator
MD	Menara Destilasi
T	Tangki
RB	Reboiler
CD	Condenser
AC	Accumulator
P	Pompa
HE	Heat Exchanger
CL	Cooler
BC	Belt Conveyor
BE	Bucket Elevator
EXP	Expander
C	Compressor
S	Silo

	JURUSAN TEKNIK KIMIA
	FAKULTAS TEKNOLOGI INDUSTRI
	UNIVERSITAS ISLAM INDONESIA
	YOGYAKARTA
	2018
PROCESS ENGINEERING FLOW DIAGRAM	
PRA RANCANGAN PABRIK PHTHALIC ANHYDRIDE DARI O-XYLENE	
DAN UDARA DENGAN KAPASITAS 24.000 TON/TAHUN	
DISUSUN OLEH :	
1. Bagas Bilowo H. S. (13521006)	
2. Mirza Indrawan (13521016)	
DOSEN PEMBIMBING :	
1. Ir. Drs. Faisal R M M.T., Ph.D.	
2. Tintin Mutiara S.T., M.Eng.	