

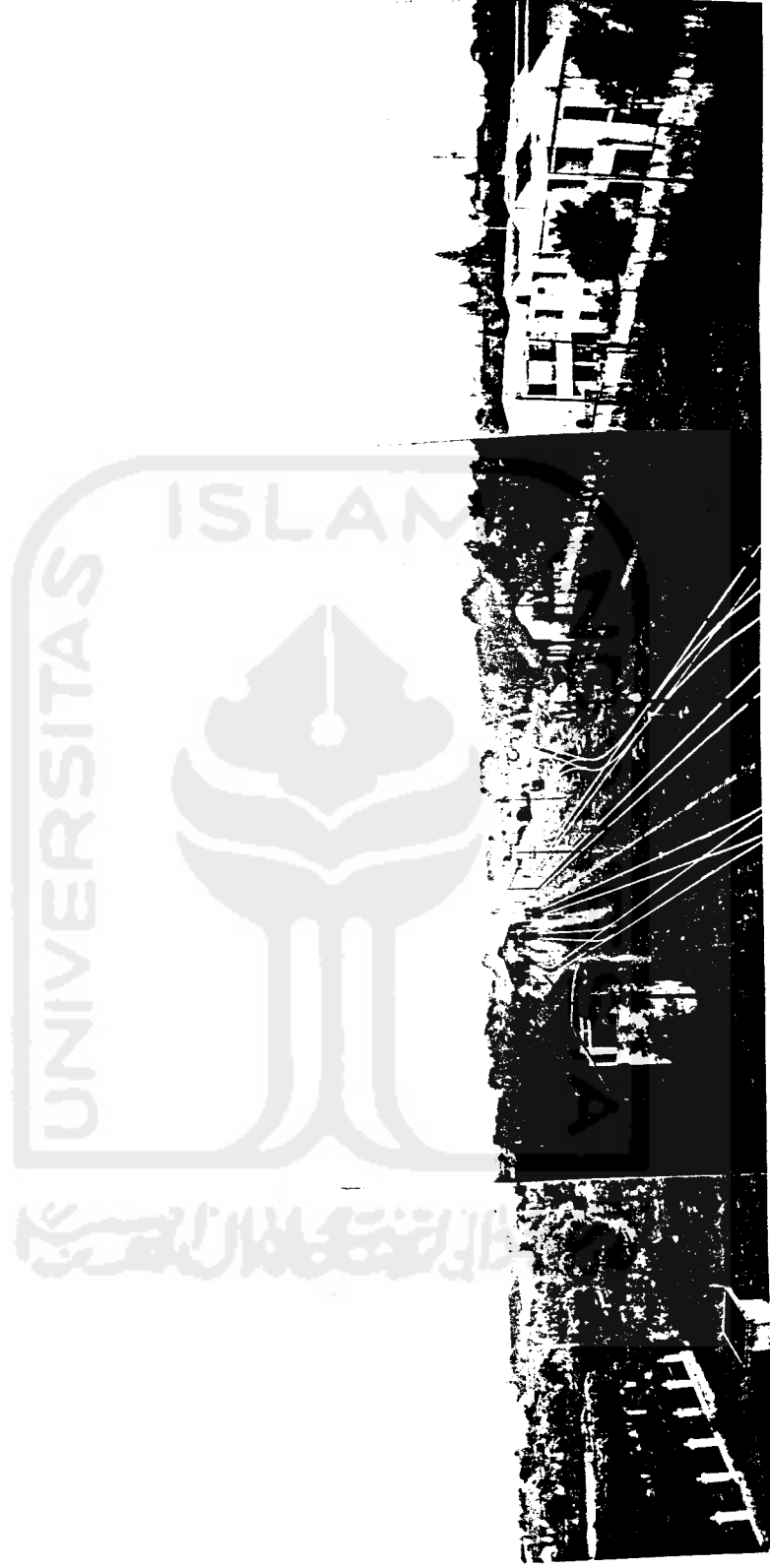


**lampiran**

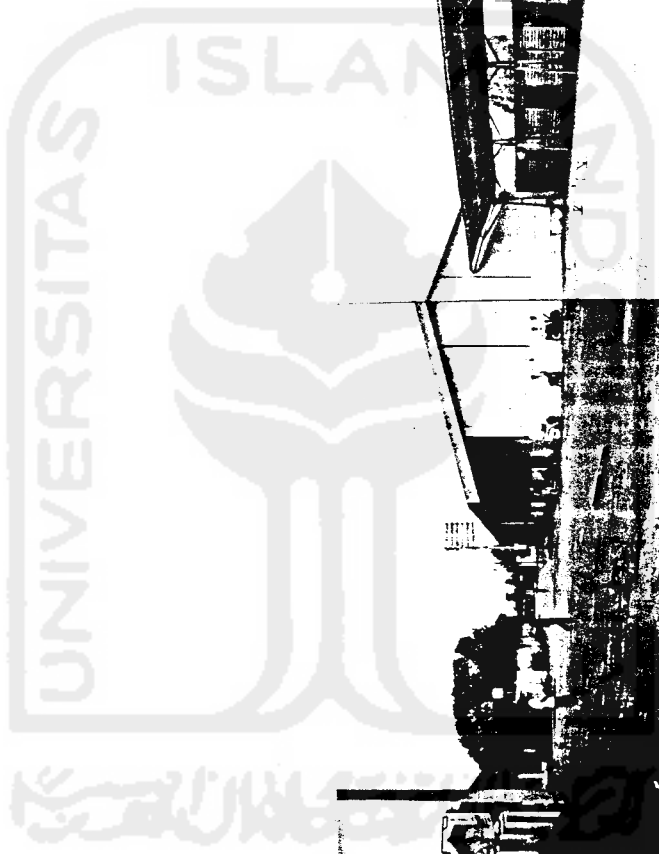
# Site preview



Pandangan dari barat (posisi jalan utama)



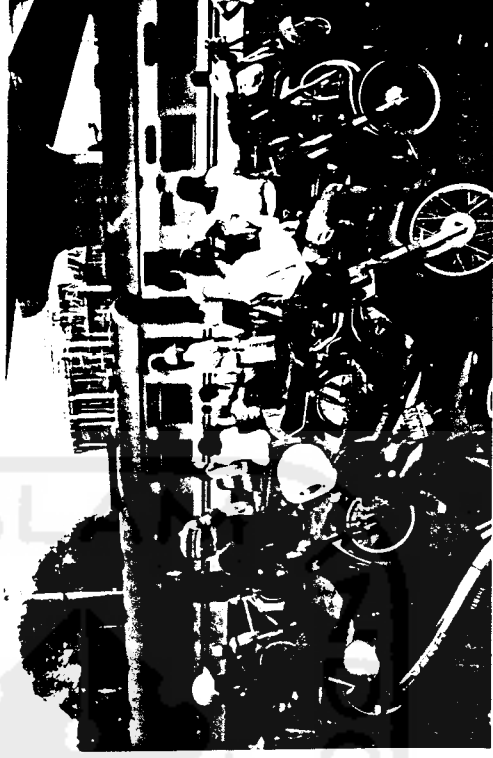
Pandangan dari timur (posisi jembatan layang)



Topografi site sisi selatan jalan utama



Topografi site sisi utara jalan utama



Orang-orang yang menikmati suasana stasiun di bawah jembatan layang  
Dan sisi lahan kosong dekat dengan stasiun

# Detail site



Gudang semen yang terdapat pada site



Bangunan penjaga pintu kereta dan menara tua



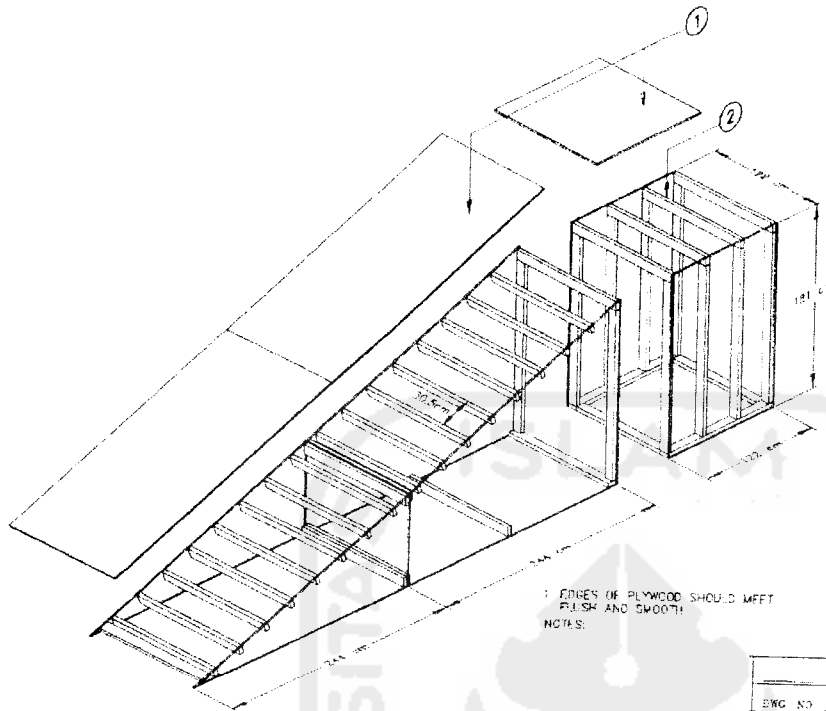
Sebaran rel menuju gudang semen pada sisi lain di dalam site



Lahan mati pada sisi utara dekat dengan bengkel truk menjadi alternatif lokasi pemindahan gudang



# KONSTRUKSI BANK RAMP

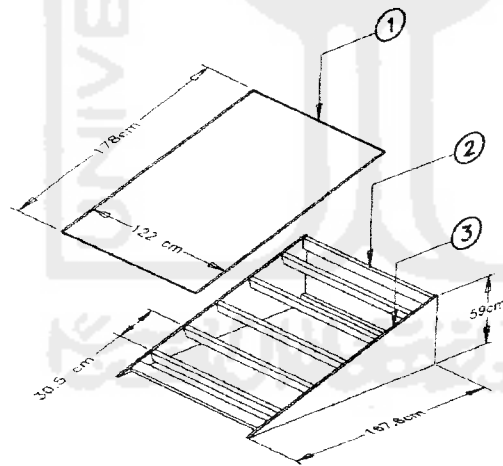


ITEM	DESCRIPTION	QTY
2	3.8cm x 8.9cm WOOD STUDS	42
1	1.9 cm THICK PLYWOOD	8

DROP-IN				REV. DATE
DWG. NO	SHEET	OF	SIZE	
8-26-92	1	1	B	
8-26-92	SCALE: NONE			
DO NOT SCALE DRAWING!				

# KONSTRUKSI JUMP RAMP



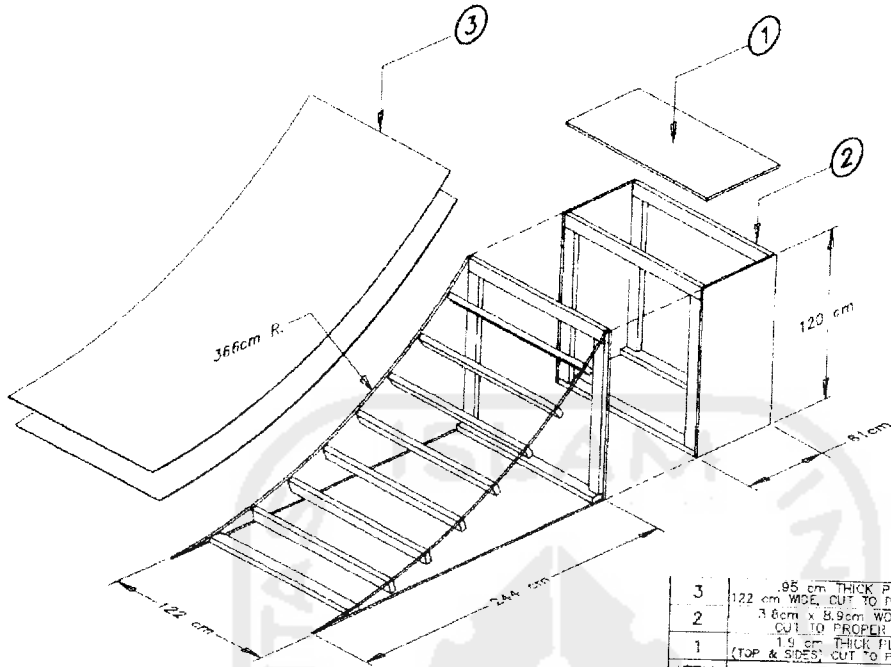
1. QUANTITY REQUIRED: 6  
NOTES:

ITEM	DESCRIPTION	QTY.
3	1.9 cm THICK PLYWOOD	2
2	3.8cm x 8.9cm x 118.2 cm LONG WOOD STUDS	8
1	1.9 cm THICK PLYWOOD	1

RAMP 'A' (FUN BOX)				REV. DATE
DWG. NO	SHEET	OF	SIZE	
8-26-92	1	1	A	
8-26-92	SCALE: NONE			
DO NOT SCALE DRAWING!				

# KONSTRUKSI LAUNCH RAMP



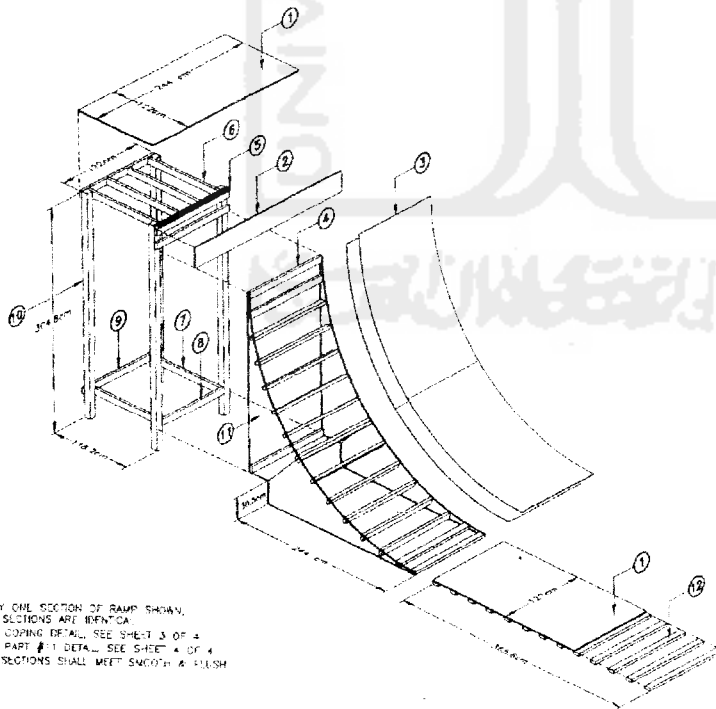
ITEM	DESCRIPTION	QTY.
3	.95 cm THICK PLYWOOD 122 cm WIDE, CUT TO PROPER LENGTH	2
2	3.8cm x 8.9cm WOOD STUDS CUT TO PROPER LENGTH	20
1	1.9 cm THICK PLYWOOD (TOP & SIDES) CUT TO PROPER LENGTH	5

1/4 PIPE

DWG. NO.	SHEET	OF	SIZE	REV. DATE
8-26-92	1	1	A	
8-26-92	SCALE: NONE			
DO NOT SCALE DRAWING!				

1. QUANTITY REQUIRED: 2  
NOTES:

# KONSTRUKSI QUARTER RAMP

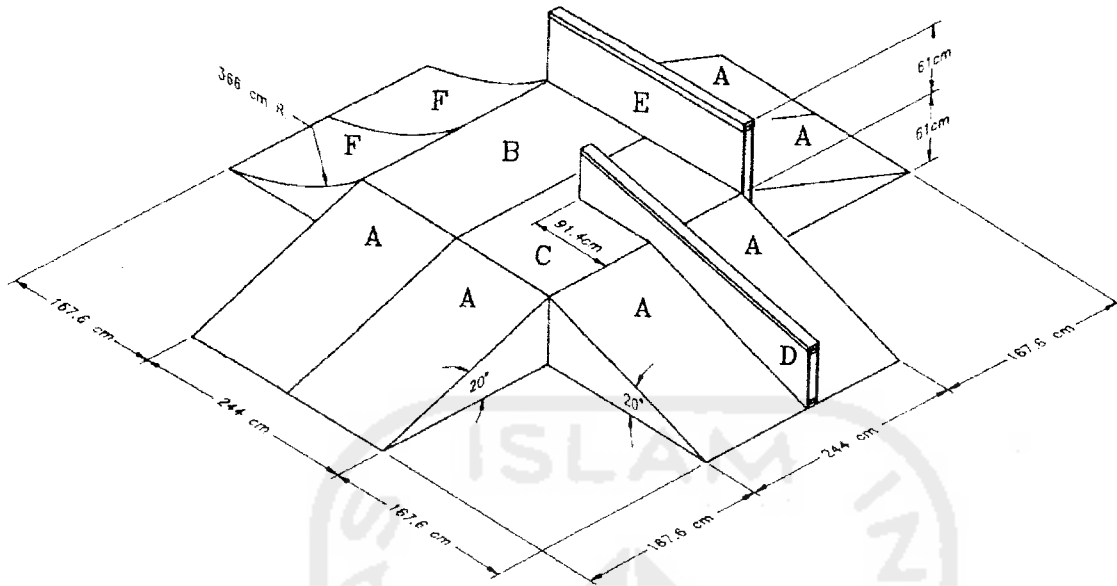


ITEM	DESCRIPTION	QTY.
12	3.8 cm x 8.9 cm WOOD STUDS 122 cm LONG	12
11	1.9 cm THICK PLYWOOD 366 cm WIDE, 122 cm LONG	2
10	3.8 cm x 8.9 cm WOOD STUDS 366 cm LONG	4
9	1.9 cm THICK PLYWOOD 366 cm WIDE, 122 cm LONG	2
8	3.8 cm x 8.9 cm WOOD STUDS 122 cm LONG	4
7	1.9 cm THICK PLYWOOD 366 cm WIDE, 122 cm LONG	2
6	3.8 cm x 8.9 cm WOOD STUDS 122 cm LONG	4
5	1.9 cm THICK PLYWOOD 366 cm WIDE, 122 cm LONG	2
4	3.8 cm x 8.9 cm WOOD STUDS 366 cm LONG	4
3	1.9 cm THICK PLYWOOD 366 cm WIDE, 122 cm LONG	2
2	3.8 cm x 8.9 cm WOOD STUDS 366 cm LONG	4
1	1.9 cm THICK PLYWOOD 366 cm WIDE, 122 cm LONG	2

1/2 PIPE RAMP

NOTES:  
1. ONLY ONE SECTION OF RAMP SHOWN.  
ALL SECTIONS ARE IDENTICAL.  
2. FOR COPING DETAIL, SEE SHEET 3 OF 4.  
3. FOR PART #1 DETAIL, SEE SHEET 4 OF 4.  
4. ALL SECTIONS SHALL MEET SMOOTH & FINISH.

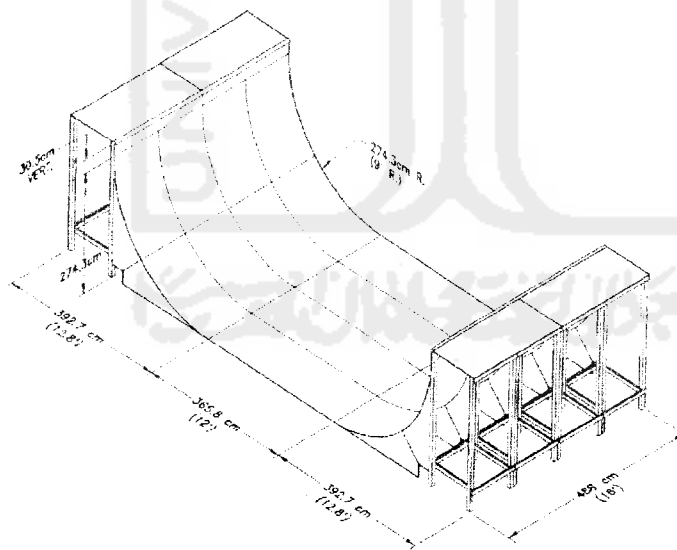
# DIMENSI FUN BOX



## FUN BOX

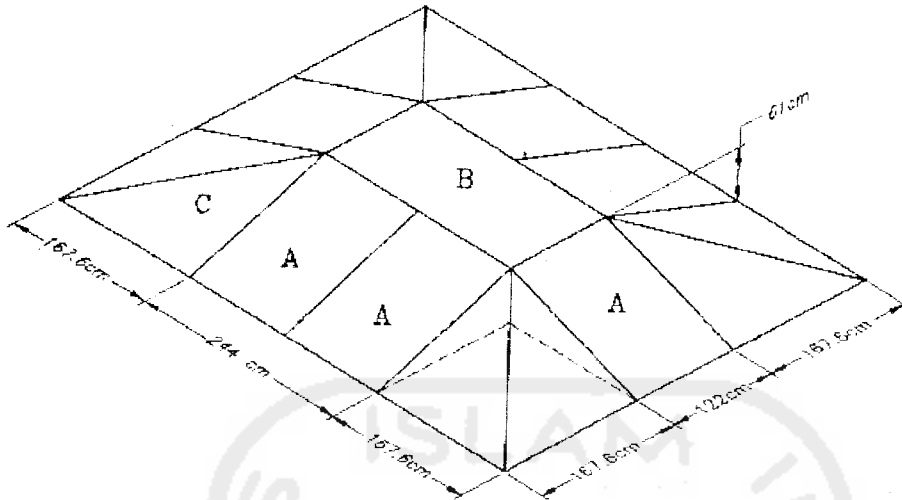
SHEET 1 OF 7 SIZE A  
 SCALE: 1/4"=1'  
 DO NOT SCALE DRAWING

# DIMENSI VERT RAMP



RAMP		REV	DATE
PART NO.	SHEET	OF	SIZE A
SCALE: 1/4"=1'			
DO NOT SCALE DRAWING			

# DIMENSI PYRAMID

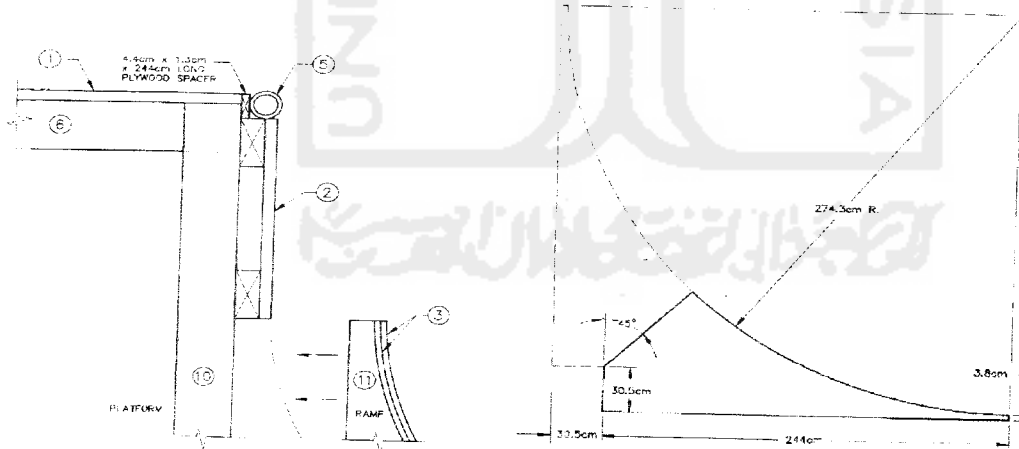


**NOTES:**

1. RAMP 'A': FOR DETAILS, SEE RAMP 'A' (FUN BOX)
2. PLATFORM 'B': FOR DETAILS, SEE PLATFORM 'B' (FUN BOX)

<b>POWELL CORPORATION</b> 30 S. La Patera Lane Santa Barbara, Ca. 93117		<b>PYRAMID</b>		
ENG BY:	POWELL CORP.	DWG. NO.	8-27-92	REV. DATE
DRAWN BY:	C. M. ALLEN	SHEET	1 OF 2	SIZE A
CAD FILE:	RAMP1	SCALE:	1/4" = 1'	
DO NOT SCALE DRAWING!				

## DETAILS



SEE DETAIL SHEET FOR PART NUMBER IDENTIFICATION/DESCRIPTION.

MATERIAL 1.9cm THICK PLYWOOD

**NOTES:**

<b>RAMP COPING DETAIL</b>				
DWG. NO.	8-27-92	SHEET	1 OF 2	REV. DATE
DRAWN BY:	C. M. ALLEN	SCALE:	1/4" = 1'	
DO NOT SCALE DRAWING!				

<b>POWELL CORPORATION</b> 30 S. La Patera Lane Santa Barbara, Ca. 93117		<b>PART #11 DETAIL (RAMP)</b>		
ENG. BY:	POWELL CORP.	DWG. NO.	8-27-92	REV. DATE
DRAWN BY:	C. M. ALLEN	SHEET	1 OF 2	SIZE A
CAD FILE:	RAMP	SCALE:	1/4" = 1'	
DO NOT SCALE DRAWING!				