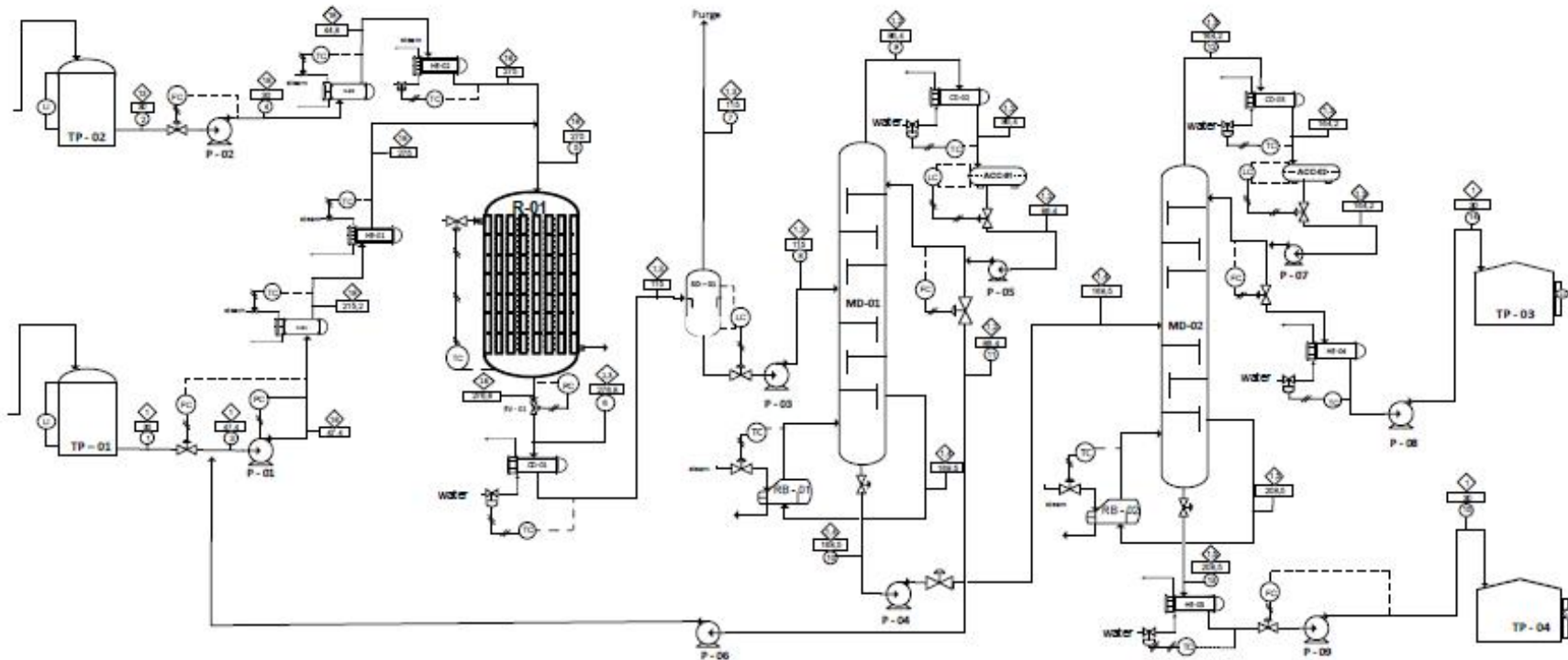


LAMPIRAN C

**PROCESS ENGINEERING FLOW DIAGRAM
PABRIK ISOPROPYL BENZENE DARI PROPYLEN DAN BENZENE
KAPASITAS 30.000 TON / TAHUN**



Komponen	Neraca Massa (Kg/Jam)														
	1	2	3	4	5	6	7	8	9	10	11	12	13	14	15
Propilen		1564,4117	0,8491	1564,4117	1565,2608	15,6526	14,8035	0,8491	0,8491		0,8491				
Propana		7,3157	0,5126	7,3157	7,8069	7,8069	7,3157	0,5126	0,5126		0,5126				
Benzene	4013,2638		5813,8260		5813,8260	3023,1895	1230,8553	1802,3344	1800,530	1,8023	1800,532	1,8023		1,8023	
Toluen	3,5657		5,81380		5,81380	5,8138	1,3177	4,4962	2,2481	2,2481	2,2481	2,2481		2,2481	
Isopropil Benzene						4159,1217	336,8074	3822,314		3822,314		3785,071	38,2431	3785,071	38,2431
Diisopropil Benzene						181,123	2,3905	178,7325		178,7325		0,7574	177,9752	0,7574	177,9752
Total	4016,8596	1575,7254	5990,585	1575,7254	7997,7269	7998,7269	1590,4881	5817,2388	13779,906	4005,0969	1815,1418	3787,8788	216,2183	3787,8788	216,2183

ACC	Accumulator	Level Controller	Level Indicator
CD	Condenser	Pressure Controller	Temperature Controller
HE	Heat Exchanger	Normal Alarm	Ratio, C
R	Reaktor	Normal, etc	Control Valve
MD	Menske Distilled	Ratio Controller	Ratio Controller
R	Reaktor	Ratio Controller	Ratio Controller
EV	Expansion Valve	Ratio Controller	Ratio Controller
TP	Tangki	Ratio Controller	Ratio Controller
SD	Separator	Ratio Controller	Ratio Controller
V	Vaporizer	Ratio Controller	Ratio Controller
P	Pompa	Ratio Controller	Ratio Controller

JURUSAN TEKNIK KIMIA
FAKULTAS TEKNOLOGI INDUSTRI
UNIVERSITAS ISLAM INDONESIA
YOGYAKARTA

PROSES ENGINEERING FLOW DIAGRAM
PABRIK ISOPROPYL BENZENE DARI PROPYLEN DAN BENZENE
KAPASITAS 30.000 TON/TAHUN

Dibuat oleh:
1. Lutfi Chakriani (15 521 224)
2. Haris Dwi Hidarma (15 521 255)

Dosen pembimbing:
1. Ir. Suharno Rusli, Ph.D.
2. Nur Indah Fauziy Mullis, ST, M.Eng

PROSES ENGINEERING FLOW DIAGRAM
PABRIK ISOPROPYL BENZENE DARI PROPYLEN DAN BENZENE
KAPASITAS 30.000 TON/TAHUN

Dibuat oleh:
1. Lutfi Chakriani (15 521 224)
2. Haris Dwi Hidarma (15 521 255)

Dosen pembimbing:
1. Ir. Suharno Rusli, Ph.D.
2. Nur Indah Fauziy Mullis, ST, M.Eng