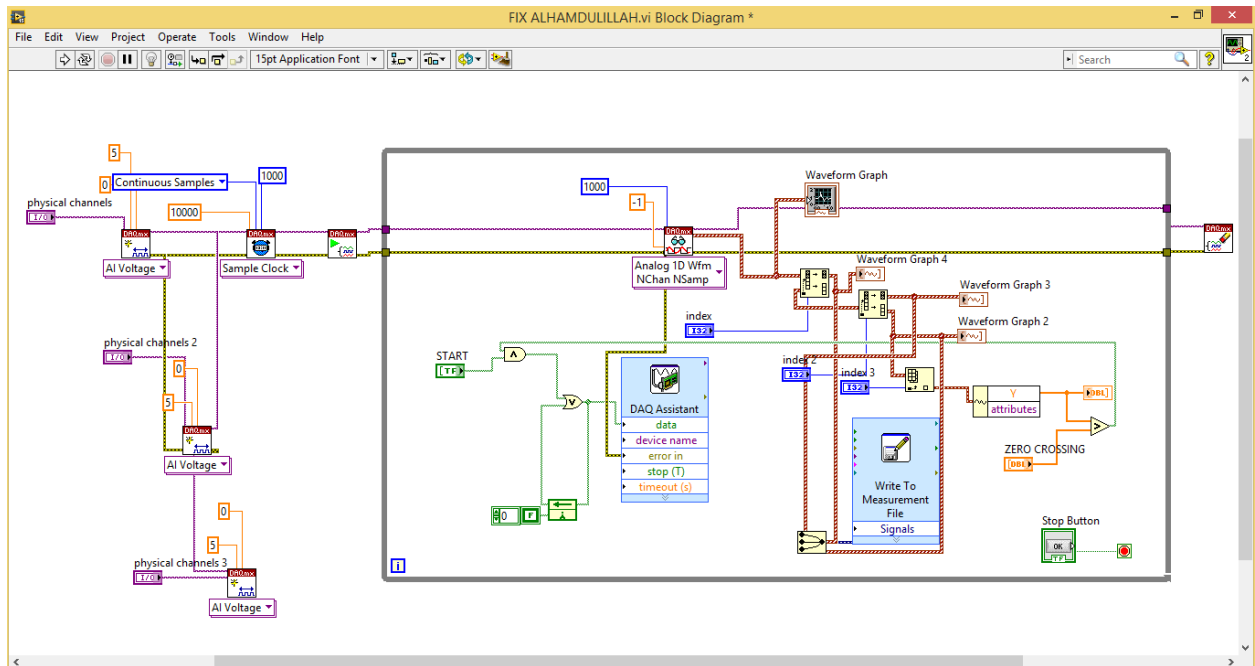


LAMPIRAN



```
sketch_dec18a | Arduino 1.8.8
File Edit Sketch Tools Help
sketch_dec18a
const long double pinButton = 2;
const long double pinTrigger = 3;

long double nilaiButton = 0;

void setup() {
  pinMode(pinButton, INPUT);
  pinMode(pinTrigger, OUTPUT);
}

void loop() {
  nilaiButton = digitalRead(pinButton);
  if (nilaiButton == HIGH) {
    digitalWrite(pinTrigger, HIGH);
    delay(0.2);
  }
}
```

Arduino/Genuino Uno on COM3