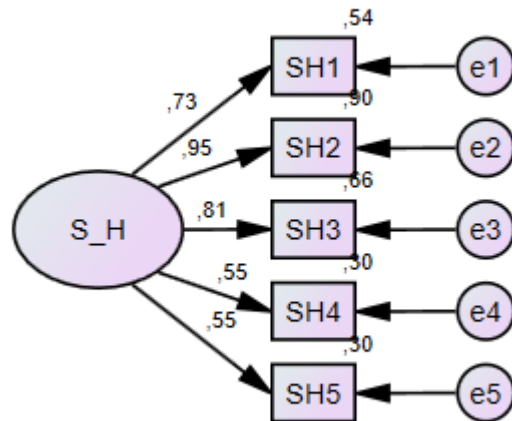


## Lampiran 7: Uji Confirmatory

### a. Sertifikat Halal



Goodness of Fit Indices  
 Chi-squares = 1,201  
 Probabilities = ,945  
 DF = 5  
 CFI = 1,000  
 AGFI = ,993  
 GFI = ,998  
 RMSEA = ,000  
 TLI = 1,040  
 CMINDF = ,240

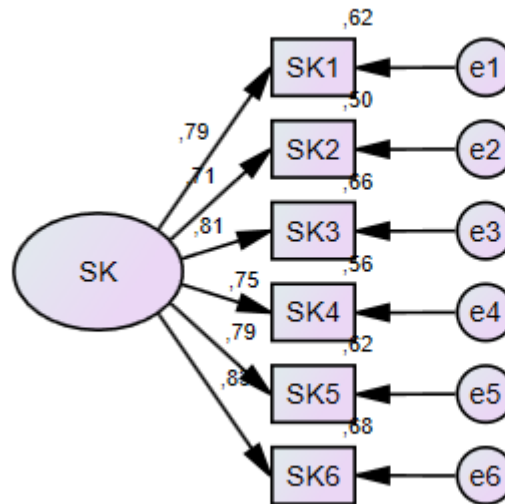
#### Regression Weights: (Group number 1 - Default model)

	Estimate	S.E.	C.R.	P	Label
SH1 <--- S_H	1,000				
SH2 <--- S_H	1,276	,100	12,741	***	
SH3 <--- S_H	1,099	,095	11,559	***	
SH4 <--- S_H	,795	,104	7,670	***	
SH5 <--- S_H	,656	,086	7,632	***	

#### Standardized Regression Weights: (Group number 1 - Default model)

	Estimate
SH1 <--- S_H	,733
SH2 <--- S_H	,947
SH3 <--- S_H	,810
SH4 <--- S_H	,548
SH5 <--- S_H	,546

b. Sikap



Goodness of Fit Indices  
 Chi-squares = 11,187  
 Probabilities = ,063  
 DF = 9  
 CFI = ,934  
 AGFI = ,899  
 GFI = ,914  
 RMSEA = ,061  
 TLI = ,890  
 CMINDF = 1,243

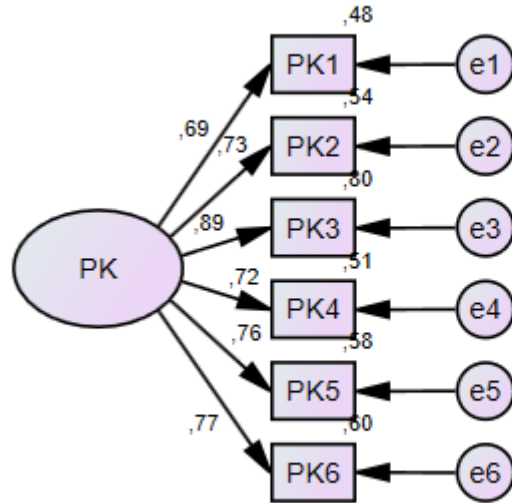
Regression Weights: (Group number 1 - Default model)

	Estimate	S.E.	C.R.	P	Label
SK1 <--- SK	1,000				
SK2 <--- SK	,902	,085	10,574	***	
SK3 <--- SK	1,229	,098	12,510	***	
SK4 <--- SK	1,037	,091	11,376	***	
SK5 <--- SK	1,106	,092	12,084	***	
SK6 <--- SK	1,056	,082	12,819	***	

Standardized Regression Weights: (Group number 1 - Default model)

	Estimate
SK1 <--- SK	,790
SK2 <--- SK	,707
SK3 <--- SK	,811
SK4 <--- SK	,751
SK5 <--- SK	,789
SK6 <--- SK	,827

c. Kontrol Perilaku



Goodness of Fit Indices  
 Chi-squares = 12,113  
 Probabilities = ,064  
 DF = 9  
 CFI = ,960  
 AGFI = ,896  
 GFI = ,942  
 RMSEA = ,078  
 TLI = ,933  
 CMINDF = 1,346

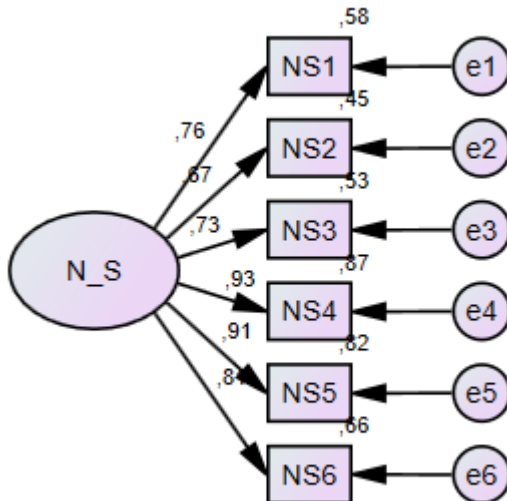
Regression Weights: (Group number 1 - Default model)

	Estimate	S.E.	C.R.	P	Label
PK1 <--- PK	1,000				
PK2 <--- PK	1,148	,119	9,648	***	
PK3 <--- PK	1,509	,132	11,433	***	
PK4 <--- PK	1,084	,115	9,441	***	
PK5 <--- PK	1,160	,117	9,959	***	
PK6 <--- PK	1,261	,125	10,123	***	

Standardized Regression Weights: (Group number 1 - Default model)

	Estimate
PK1 <--- PK	,693
PK2 <--- PK	,733
PK3 <--- PK	,893
PK4 <--- PK	,716
PK5 <--- PK	,759
PK6 <--- PK	,773

d. Norma Subjektif



Goodness of Fit Indices  
 Chi-squares = 14,061  
 Probabilities = ,120  
 DF = 9  
 CFI = ,981  
 AGFI = ,948  
 GFI = ,978  
 RMSEA = ,053  
 TLI = ,969  
 CMINDF = 1,562

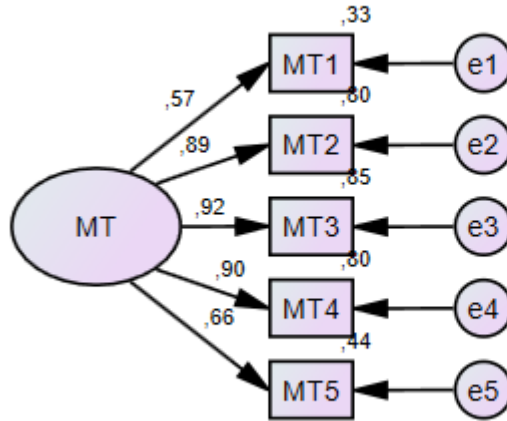
Regression Weights: (Group number 1 - Default model)

	Estimate	S.E.	C.R.	P	Label
NS1 <--- N_S	1,000				
NS2 <--- N_S	,923	,094	9,856	***	
NS3 <--- N_S	1,051	,096	10,919	***	
NS4 <--- N_S	1,147	,079	14,594	***	
NS5 <--- N_S	1,200	,085	14,120	***	
NS6 <--- N_S	1,125	,091	12,372	***	

Standardized Regression Weights: (Group number 1 - Default model)

	Estimate
NS1 <--- N_S	,760
NS2 <--- N_S	,668
NS3 <--- N_S	,731
NS4 <--- N_S	,935
NS5 <--- N_S	,907
NS6 <--- N_S	,813

e. Minat Beli



Goodness of Fit Indices  
 Chi-squares = 9,486  
 Probabilities = ,059  
 DF = 5  
 CFI = ,989  
 AGFI = ,929  
 GFI = ,976  
 RMSEA = ,086  
 TLI = ,978  
 CMINDF = 1,897

Regression Weights: (Group number 1 - Default model)

	Estimate	S.E.	C.R.	P	Label
MT1 <--- MT	1,000				
MT2 <--- MT	1,169	,129	9,094	***	
MT3 <--- MT	1,218	,132	9,231	***	
MT4 <--- MT	1,248	,137	9,098	***	
MT5 <--- MT	,945	,124	7,593	***	

Standardized Regression Weights: (Group number 1 - Default model)

	Estimate
MT1 <--- MT	,574
MT2 <--- MT	,895
MT3 <--- MT	,923
MT4 <--- MT	,895
MT5 <--- MT	,665

SH1	<---	Sertifikasi Halal	SH1	0,733	0,537	0,463
SH2	<---	Sertifikasi Halal	SH2	0,947	0,897	0,103
SH3	<---	Sertifikasi Halal	SH3	0,810	0,656	0,344
SH4	<---	Sertifikasi Halal	SH4	0,548	0,300	0,700
SH5	<---	Sertifikasi Halal	SH5	0,546	0,298	0,702
			CR	0,847		
			VE	0,538		
SK1	<---	Sikap	SK1	0,790	0,624	0,376
SK2	<---	Sikap	SK2	0,707	0,500	0,500
SK3	<---	Sikap	SK3	0,811	0,658	0,342
SK4	<---	Sikap	SK4	0,751	0,564	0,436
SK5	<---	Sikap	SK5	0,789	0,623	0,377
SK6	<---	Sikap	SK6	0,827	0,684	0,316
			CR	0,903		
			VE	0,609		
PK1	<---	Kontrol Perilaku	PK1	0,693	0,480	0,520
PK2	<---	Kontrol Perilaku	PK2	0,733	0,537	0,463
PK3	<---	Kontrol Perilaku	PK3	0,893	0,797	0,203
PK4	<---	Kontrol Perilaku	PK4	0,716	0,513	0,487
PK5	<---	Kontrol Perilaku	PK5	0,759	0,576	0,424
PK6	<---	Kontrol Perilaku	PK6	0,773	0,598	0,402
			CR	0,893		
			VE	0,584		
NS1	<---	Norma Subyektif	NS1	0,760	0,578	0,422
NS2	<---	Norma Subyektif	NS2	0,668	0,446	0,554
NS3	<---	Norma Subyektif	NS3	0,731	0,534	0,466
NS4	<---	Norma Subyektif	NS4	0,935	0,874	0,126
NS5	<---	Norma Subyektif	NS5	0,907	0,823	0,177
NS6	<---	Norma Subyektif	NS6	0,813	0,661	0,339
			CR	0,917		
			VE	0,653		
MT1	<---	Minat Beli	MT1	0,574	0,329	0,671
MT2	<---	Minat Beli	MT2	0,895	0,801	0,199
MT3	<---	Minat Beli	MT3	0,923	0,852	0,148
MT4	<---	Minat Beli	MT4	0,895	0,801	0,199
MT5	<---	Minat Beli	MT5	0,665	0,442	0,558
			CR	0,898		
			VE	0,645		