

LAMPIRAN 1
DATA BANK SAMPAH DARI DINAS LINGKUNGAN HIDUP
YOGYAKARTA TAHUN 2017

DAFTAR BANK SAMPAH KOTA YOGYAKARTA
TAHUN 2017

No.	Nama Bank Sampah	RW	Kelurahan	Jumlah Nasabah (KK)	Jumlah KK	Rata-Rata Jumlah Sampah Terkelola tiap Bulan				
						Plastik (kg)	Kertas (kg)	Kaca (kg)	Logam (kg)	Lain2 (kg)
1	TOMPEYAN BERSERI	1	TEGALREJO	32		37,79	95,42	6,19	29,50	0
2	SEKAR WANGI	2	TEGALREJO	48		24,17	36,67	5,00	1,67	0
3	BERLIAN 03	3	TEGALREJO	31		26,67	123,33	8,67	2,17	0
4	WIRO ASRI	4	TEGALREJO	60		67,30	30,33	15,17	3,87	0
5	ALAMANDA	5	TEGALREJO	40		33,30	43,78	25,40	7,58	0
6	MAYDARLING	6	TEGALREJO	60		10,00	20,00	0,00	5,45	0
7	GUYUP MAKMUR	7	TEGALREJO	62		40,50	58,00	11,50	1,75	0
8	BUTUH OMEGA	8	TEGALREJO	24		8,00	10,00	4,80	0,50	0
9	PADAMAKAN	9	TEGALREJO	38		22,70	34,67	6,13	6,25	0
10	DE-BAR-BERLIAN 3	10	TEGALREJO	15		16	15	0	1,5	0
11	MANSHURINA	1	PAKUNCEN	50	230	54,50	57,50	6,50	5,00	0
12	MULYO ASRI	2	PAKUNCEN	25	225	6,50	38,25	10,00	0,00	0
13	NGADIMULYO MANDIRI	3	PAKUNCEN	31		10,00	15,40	2,10	0,00	0
14	KOMPAK	6	PAKUNCEN	27		19,77	55,43	7,67	3,93	0
15	MIGUNANI	10	PAKUNCEN	140		214,77	174,17	341,33	77,83	0
16	NGURAKAPI	11	PAKUNCEN	51		29,87	38,98	15,33	5,17	0
17	MUGI RESIK	12	PAKUNCEN	32		32,78	55,60	28,67	14,73	0
18	BIHARI	1	BENER	40		23,67	51,00	2,67	2,73	0
19	SALINGSIH	2	BENER	77		5,63	2,27	0,00	2,17	0
20	TREN	3	BENER	71		28,67	113,50	5,67	9,83	0
21	BANGUN	4	BENER	34		21,00	72,00	3,00	8,00	0
22	GARDENA	5	BENER	35		19,00	56,00	0,00	5,00	0
23	RESIK	1	KRICAK	40		40,17	64,83	30,73	10,04	0
24	GUYUP	2	KRICAK	36		12,50	25,17	2,40	0,10	0
25	MULYO BARENG	3	KRICAK	42		21,50	55,00	0,00	5,00	0
26	CINTA KASIH	5	KRICAK	40		10	17,5	6	5	0
27	NUSA BANGSA	6	KRICAK	27		23,78	130,95	81,43	4,65	0
28	BERSIH	7	KRICAK	23		22	45	19	60	0
29	SELARAS	8	KRICAK	150		61,38	110,35	12,73	7,33	0
30	SRIKANDI	9	KRICAK	50		47,83	139,83	19,27	28,62	0
31	GOTRO MANDIRI	13	KRICAK	23		17,67	36,33	4,87	9,70	0
32	GAHUDA MUDA	1	BUMBU	30		19,83	88,67	0,00	0,00	0
33	MAKMUR	2	BUMBU	80		61,00	118,33	23,33	1,33	0
34	LINUWIH	3	BUMBU	60		48,67	154,33	54,37	16,97	0
35	MULIA ARTHA I	5	BUMBU	50		38,17	88,50	9,67	4,17	0
36	SORWO	6	BUMBU	60		178,69	344,79	69,33	230,15	0
37	MAKMUR SAROKAH	7	BUMBU	36		73,80	117,00	12,00	18,20	0
38	BERSERI	8	BUMBU	129		21,25	51,51	8,52	9,32	0
39	BUMBEJO	9	BUMBU	30		19	58	2	6	0
40	LESTARI	10	BUMBU	88		42,99	146,60	6,50	7,82	0
41	REJEKI	11	BUMBU	47		40,07	40,73	1,57	3,87	0
42	LINTAS WINONGO	13	BUMBU	235		195,35	692,92	49,60	86,72	0
43	GUYUB WARGA	13	BUMBU	50		14,88	38,63	3,00	4,57	0
44	DARLING	1	KARANGWARU	52		90,58	382,22	7,33	72,23	0
45	SUMBER REJEKI	4	KARANGWARU	35		16	19	11	5	0
46	MELATI	5	KARANGWARU	29		46,07	83,34	4,40	22,12	0
47	PUTRI GUYUP	5	KARANGWARU	20		37,50	45,00	4,00	5,00	0
48	TULUH BELAS	5	KARANGWARU	30		130,20	164,70	23,00	18,00	0
49	NGUDI MULYO	5	KARANGWARU	28		29,20	84,03	4,20	6,83	0
50	REJEKI MANDIRI	6	KARANGWARU	48		8,40	23,53	4,00	3,89	0
51	BUNTUNG ASRI	6	KARANGWARU	20		13	54	2	4	0
52	LESTARI	7	KARANGWARU	16		10,75	35,25	0,00	0,00	0
53	CODELA MAKMUR	8	KARANGWARU	11		9,00	16,00	0,00	0,00	0
54	BERKAH	9	KARANGWARU	28		2,67	27,67	0,00	0,00	0
55	MANDIRI	13	KARANGWARU	5		7,00	12,50	1,25	1,95	0
56	GOWTHREE	3	GOWONGAN	33		8,25	17,40	9,00	2,00	0
57	SEJAH TERA	5	GOWONGAN	28		9,95	43,75	8,00	6,00	0
58	GEMAH RIPA	8	GOWONGAN	65		9,83	36,02	4,73	5,67	0
59	DAHLIA	3	GOWONGAN	33		13,67	18,33	8,40	3,00	0
60	GOTONG ROYONG	10	GOWONGAN	49		24,40	105,50	1,00	5,50	0
61	BUNGA LESTARI	11	GOWONGAN	115		16,83	47,83	0,00	3,33	0
62	AMARTA	13	GOWONGAN	25		9,50	21,00	1,50	0,00	0
63	COKRODININGRATAN	2	COKRODININGRATAN	25		15,33	25,00	0,00	1,67	0

65	LINGKAR 13	3	COKRODININGRATAN	45		51,14	161,10	2,07	16,66	0
66	KANTONG REJEKI	4	COKRODININGRATAN	35		37,90	174,87	15,27	11,21	0
67	SEJAHTERA	6	COKRODININGRATAN	39		7,83	68,00	0,00	0,00	0
68	LAWUH JITU (Lingk Anti Uwuh Jetis Pitu)	7	COKRODININGRATAN	64		33,03	59,10	3,33	5,07	0
69	HIBERA	9	COKRODININGRATAN	21		45,77	80,83	2,00	11,57	0
70	BUMI LESTARI	10	COKRODININGRATAN	147		25,17	91,85	23,33	2,43	0
71	BAWONO LANGGENG	11	COKRODININGRATAN	34		36,00	103,00	26,00	1,50	0
72	ANUGRAH 01	1	KLITREN	66		73,33	171,47	60,73	31,69	0
73	ANUGRAH 02	2	KLITREN	44		56,03	142,40	46,87	18,58	0
74	ANUGRAH 04	4	KLITREN	86		7,00	2,50	8,50	2,00	0
75	ANUGRAH 05	5	KLITREN	30		15,50	16,23	20,23	2,55	0
76	ANUGRAH 07	7	KLITREN	57		118,63	150,09	14,82	24,98	0
77	ANUGRAH 08	8	KLITREN	20		38,00	74,83	16,83	9,83	0
78	ANUGRAH 09	9	KLITREN	14		7,30	22,90	0,00	6,97	0
79	ANUGRAH 11	11	KLITREN	98		16,37	68,67	3,33	12,33	0
80	ANUGRAH 12	12	KLITREN	13		48,33	63,50	6,33	18,67	0
81	ANUGRAH 13	13	KLITREN	25		46,50	87,50	11,50	45,75	0
82	ANUGRAH 14	14	KLITREN	81		65,30	174,93	121,43	23,80	0
83	ANUGRAH 15	15	KLITREN	38		80,17	123,97	68,90	10,43	0
84	SAERAH	1	DEMANGAN	25		20,00	37,33	7,67	5,50	0
85	GOTONG RÖYONG	1	DEMANGAN	17		25,5	14	6	0	0
86	GUYUP RUKUN	2	DEMANGAN	30		98,17	82,67	9,50	46,83	0
87	BUMI HIAJU	3	DEMANGAN	85		18,67	41,33	12,33	5,33	0
88	DELIMA MERAH	4	DEMANGAN	35		21,67	45,33	5,77	1,00	0
89	SRIMANDI MANDIRI	5	DEMANGAN	78		98,07	183,37	14,03	19,20	0
90	PANDAN WANGI	6	DEMANGAN	30		28,33	201,00	8,17	11,33	0
91	KALEN DHUIT	7	DEMANGAN	52		157,63	81,40	93,53	15,67	0
92	MEKAR LESTARI 1	8	DEMANGAN	80		52,00	110,00	9,67	42,33	0
93	MEKAR LESTARI 2	8	DEMANGAN	45		171,93	338,00	7,33	45,33	0
94	SEKAR MELATI	9	DEMANGAN	35		28,00	55,00	3,00	6,00	0
95	ASRI	10	DEMANGAN	39		70,00	104,50	2,33	11,83	0
96	MUTIARA	11	DEMANGAN	55		45,00	39,00	20,50	19,47	0
97	TANJUNG ASRI	12	DEMANGAN	157		64,86	212,70	44,99	21,80	0
98	SIDO MULYO	2	KOTABARU	31		14,60	27,50	15,38	39,00	0
99	MAKMUR	3	KOTABARU	80		26,92	129,67	5,42	0,00	0
100	PIRANTI	4	KOTABARU	30		12,33	38,17	0,00	2,00	0
101	GILAR SUMRINGAH	1	TERBAN	48		70,67	77,67	0,00	0,00	0
102	BERSERI	2	TERBAN	90		48,67	118,17	0,00	0,00	0
103	SRI REJEKI	3	TERBAN	45		28,33	176,17	14,00	18,00	0
104	HARAPAN BERSAMA	5	TERBAN	90		53,67	90,00	1,50	20,33	0
105	BERCAHAYA	6	TERBAN	50		18,68	48,75	0,00	2,07	0
106	DAMAR TASIK	9	TERBAN	41		12,33	13,67	7,80	1,00	0
107	PURBATAMA	10	TERBAN	34		15,00	45,67	1,33	2,33	0
108	MEKAR SARI	11	TERBAN	20		33,00	41,50	0,00	0,00	0
109	LARAS HATI	1	TEGALPANGGUNG	46	52	11	27	14	9	0
110	TUNAS BAKTI	2	TEGALPANGGUNG	42	32	13	21	2	7	0
111	NGAGLIK ASRI	3	TEGALPANGGUNG	31	38	13	17	0	8	0
112	HARAPAN	4	TEGALPANGGUNG	28	30	7	19	3	9	1
113	BERKATI RT 31	6	TEGALPANGGUNG	22	27	0	23	13	0	0
114	JUPEN DARTO	13	TEGALPANGGUNG	29	36	2	33	14	15	0
115	Mekar Maju	14	TEGALPANGGUNG	30	11	0	13	29	26	0
116	Arjuna Berkah	13	TEGALPANGGUNG	22		7,5	15,5	40	0	0
117	NGJUDI REJEKI	16	TEGALPANGGUNG	23	23	7	49	15	30	0
118	REJEKI SAMPAH	1	SURYATMAJAN	32		17	35	3	21	7
119	BERKAH SAMPAH	2	SURYATMAJAN	38	55	21	78	15	15	4
120	TUNAS MEKAR	3	SURYATMAJAN	51	53	74	211	19	7	21
121	GEMA BERSEH	4	SURYATMAJAN	57	63	37	192	23	27	0
122	UWOH MINULYO	7	SURYATMAJAN	45		17	51	43	17	0
123	KARYA MANDIRI	7	SURYATMAJAN	23		14	79	3	17	0
124	RESIK MIGUNAN	13	SURYATMAJAN	81	105	111	401	3	72	0
125	TIMUR SIK	14	SURYATMAJAN	33		18	42	18	17	0
126	TUNAS MANDIRI	1	PRINGGOKUSUMAN	35		17	93	7	19	0
127	BERSINAR	2	PRINGGOKUSUMAN	9		26	15	5	8	0
128	BERHATI MEKAR	6	PRINGGOKUSUMAN	50	200	23	31	9	12	0
129	GEMA SULING	16	PRINGGOKUSUMAN	150	30	71	89	11	17	0
130	SEJAHTERA	19	PRINGGOKUSUMAN	30		31	57	21	37	0
131	MANDIRI MULYA	20	PRINGGOKUSUMAN	82	55	141	272	7	92	4
132	DESA BATU EMAS	22	PRINGGOKUSUMAN	39		23	37	12	16	0
133	SERANGAN KUDU RESEK	2	NOTOPRAJAN	75	250	85	240	17	28	0
134	PILAH-PILAH MANDIRI	3	NOTOPRAJAN	77	250	27	113	3	12	0
135	UBEK TEJO MANDIRI	4	NOTOPRAJAN	25		11	42	16	24	29
136	POKRE RESIK	5	NOTOPRAJAN	100	250	78	356	21	53	0
137	NOTORESEK MANDIRI	6	NOTOPRAJAN	79	220	23	143	14	13	23

138	WILUNG WINGKONG	7	NOTOPRAJAN	61		17	64	3	9	3
139	SUROLARAS	8	NOTOPRAJAN	221		433	753	9	123	0
140	MAJU JAYA	2	WIROBRAJAN	60	150	77	53	25	32	0
141	WIRALESTARI	4	WIROBRAJAN	4		0	20	114	420	0
142	WIRA RESIK DS	5	WIROBRAJAN	35	125	29	93	3	21	0
143	WIRA ASRI 06	6	WIROBRAJAN	43		36	267	13	28	0
144	WIRA SEJAHTERA	7	WIROBRAJAN	29		29	224	1	23	0
145	WIRA ASRI 08	8	WIROBRAJAN	70	100	115	236	0	12	0
146	WIRA PENI	9	WIROBRAJAN	54	54	36	198	5	14	0
147	WIRA ASRI	9	WIROBRAJAN			50	293	13	15	0
148	HARIJUNA	10	WIROBRAJAN	29		0	0	99	35	0
149	MELATI	10	WIROBRAJAN	17		98	213	2	51	0
150	KENCANA	11	WIROBRAJAN	4	45	45	6	5	0	0
151	KENCANA MANDIRI 11		WIROBRAJAN			14	33	10	17	0
152	MUTIARA	11	WIROBRAJAN	25		7	42	2	7	0
153	SETAMAN	12	WIROBRAJAN	26	176	17	33	0	5	0
154	SARI ARTHA	3	PURWOKINANTI	57		15	29	7	14	4
155	SERBA GUNA	4	PURWOKINANTI	13		18	64	3	8	0
156	MIGUNANI ASRI	5	PURWOKINANTI	41		12	43	8	14	0
157	ARTO MORO	7	PURWOKINANTI	26		17	89	0	7	0
158	JURIT WOLU	8	PURWOKINANTI	46		39	152	5	25	0
159	PUJO SEJAHTERA	9	PURWOKINANTI	32		21	47	2	16	0
160	PUNDI ARTHA	10	PURWOKINANTI	17		23	89	0	4	0
161	GIRI TUNGGAL	1	GUNUNGKENTUR	15		17	47	15	22	0
162	GREGET REREGET	2	GUNUNGKENTUR	55		15	43	21	19	0
163	KID PAD	3	GUNUNGKENTUR	32		25	68	0	14	0
164	GIRI BERKAH + GIRI CEMARA	4	GUNUNGKENTUR	15		11	93	2	5	0
165	ALAMANDA	5	GUNUNGKENTUR	28		16	43	6	16	0
166	SOKA 6	6	GUNUNGKENTUR	23		25	98	0	6	0
167	BAWONO	8	GUNUNGKENTUR	25		12	32	12	14	0
168	NYAI	9	GUNUNGKENTUR	27		6	36	21	17	0
169	BCL (Bank Cinta Lingkungan)	2	PATANGPULIHAN	15		16	63	1	8	0
170	MANDIRI RT 09	2	PATANGPULIHAN	13		12	26	5	13	0
171	NANGKA RT 10	2	PATANGPULIHAN	32		83	126	0	29	0
172	RT 11	2	PATANGPULIHAN	18		15	53	0	9	0
173	SPARLEG RT 12	2	PATANGPULIHAN	18		9	32	3	13	0
174	MELATI	3	PATANGPULIHAN	30		162	47	12	9	0
175	RT 26	5	PATANGPULIHAN	22		21	98	32	21	0
176	BUGIS	6	PATANGPULIHAN	35		28	117	9	21	0
177	PAREANOM	7	PATANGPULIHAN	50		103	234	8	23	0
178	SINDU RUKUN	8	PATANGPULIHAN	42		82	179	0	5	0
179	SINDU ASRI	9	PATANGPULIHAN	52		21	221	14	12	0
180	NGUDI REJEKI	1	NGAMPILAN	30		17	28	4	5	0
181	NOWOREJO	2	NGAMPILAN	32		10	27	9	4	0
182	KASWANJ	3	NGAMPILAN	60		71	211	34	53	0
183	SRIKANDI	4	NGAMPILAN	27	117	17	23	3	12	0
184	AMANAH	11	NGAMPILAN	24		14	39	0	0	0
185	LESTARI	12	NGAMPILAN	55	325	130	179	9	15	0
186	FLAMBOYAN		NGAMPILAN	75		21	123	29	23	0
187	KITA	3	NGAMPILAN	46		18,84	86,8	6,44	2,5	0
188	CHENDRA WASIH	7	NGAMPILAN	40		115,4	22,2	198,6	63,3	0
189	TAMAN BERSEJU	13	NGAMPILAN	67		71	88,5	154,7	31,7	0
190	SEWU ASRI	1	SOSROMEDURAN	41		8	43	17	13	0
191	ARTA SEKAWAN	2	SOSROMEDURAN	12	39	50	10	3	3	0
192	BAROKAH ASRI	4	SOSROMEDURAN	16	135	16	16	0	5	0
193	PANCA ASRI	5	SOSROMEDURAN	22	128	10	7	0	0	0
194	SRIKANDI ASRI	6	SOSROMEDURAN	21	118	21	15	0	16	0
195	PARAS ASRI	8	SOSROMEDURAN	85	60	92	239	34	82	23
196	KATON ASRI	13	SOSROMEDURAN	41	180	21	97	24	21	12
197	JOGO ASRI	14	SOSROMEDURAN	127		23	43	0	5	0
198	LESTARI	1	BAUSASRAN			46	49	0	17	
199	MANDIRI	3	BAUSASRAN	34	129	33	121	5	6	
200	RIZKI BERSERI	3	BAUSASRAN	25	0	32	53	2	2	0
201	GUBUG BAMBU	4	BAUSASRAN	12		12	34	3	12	4
202	GUYUB RUKUN	5	BAUSASRAN	53	150	21	82	2	12	0
203	MACANAN ASRI	6	BAUSASRAN	15	131	17	75	3	12	0
204	BAUSASRAN	9	BAUSASRAN			3	40	3	3	

206	AMANAH	9	BAUSASRAN	30	200	17	47	3	17	3
207	KUPU	10	BAUSASRAN	32		43	53	0	5	0
208	LIMBAH KENCONO	11	BAUSASRAN	24		43	53	0	16	0
209	Surya Mandiri	2	GEDONGKIWO	58		29,0	139,0	13,0	21,0	0,0
210	Tekun Mandiri	3	GEDONGKIWO	25		21,0	75,0	19,0	34,0	0,0
211	Brangkas Mandiri	8	GEDONGKIWO	60		32,0	243,0	18,0	13,0	0,0
212	Melati Muda	8	GEDONGKIWO	26		32,0	83,0	12,0	31,0	0,0
213	Condo Usaha	10	GEDONGKIWO	33		32,0	234,0	13,0	32,0	0,0
214	PRIMAS	12	GEDONGKIWO	120		103,0	654,0	18,0	65,0	0,0
215	Melati	13	GEDONGKIWO	30		25,0	23,0	1,0	2,0	
216	Bintang Sejahtera	14	GEDONGKIWO	60		64,0	187,0	23,0	19,0	7,0
217	Insan Manavira	16	GEDONGKIWO	46		18,0	93,0	13,0	26,0	0,0
218	Maju Lestari	18	GEDONGKIWO	25		37,0	99,0	12,0	32,0	0,0
219	Resik Asri	1	WIROGUNAN	45		26,0	234	31,0	43,0	11,0
220	Bintang Jaya	3	WIROGUNAN	17		53,0	87,0	15,0	41,0	0,0
221	Code Asri	4	WIROGUNAN	25		87,0	275,0	12,0	43,0	0,0
222	Berkah 05	5	WIROGUNAN	185		23,0	76,0	5,0	23,0	0,0
223	BLEDUG OMAH GAWE BUNGAH	6	WIROGUNAN	26		29,0	93,0	6,0	53,0	0,0
224	REJEKI 07	7	WIROGUNAN	27		17,0	47,0	11,0	23,0	0,0
225	Wiradara	8	WIROGUNAN	43		51,0	118,0	24,0	30,0	0,0
226	Wiratrejo	10	WIROGUNAN	28		19,0	56,0	4,0	3,0	0,0
227	Joyo Asri	11	WIROGUNAN	18		26,0	157,0	3,0	13,0	0,0
228	Maber 14	14	WIROGUNAN	40		26,0	93,0	3,0	21,0	0,0
229	MIGUNANI	15	WIROGUNAN	47		19,0	32,0	9,0	23,0	0,0
230	Berkah Asri	16	WIROGUNAN	45		43,0	73,0	23,0	14,0	0,0
231	Mandiri 17	17	WIROGUNAN	47		63,0	173,0	4,0	8,0	0,0
232	Anjani Asri	21	WIROGUNAN	35		121,0	378,0	21,0	15,0	0,0
233	Margo Resik	24	WIROGUNAN	78		37,0	67,0	13,0	24,0	0,0
234	Srikandi Satu	1	PATEHAN	60		17,0	33,0	5,0	5,0	2,0
235	Pualam	2	PATEHAN	24		113,0	278,0	22,0	32,0	3,0
236	Manunggal Warga	3	PATEHAN	46		12,0	43,0	18,0	9,0	4,0
237	Patehan Hijau	4	PATEHAN	15		43,0	235,0	12,0	42,0	0,0
238	Gading Asri	5	PATEHAN	30		18,0	54,0	5,0	7,0	3,0
239	Darmayanti Enam	6	PATEHAN	19		13,0	37,0	2,0	7,0	0,0
240	Dadi Rukun	7	PATEHAN	21		17,0	57,0	3,0	7,0	2,0
241	Mandiri 07	7	PATEHAN	20		9,0	29,0	3,0	7,0	3,0
242	Tiga Empat	9	PATEHAN	17		53,0	37,0	5,0	9,0	3,0
243	Kelompok Sedayu	10	PATEHAN	21		19,0	87,0	3,0	5,0	4,0
244	Kempas	10	PATEHAN	15		28,0	67,0	5,0	4,0	0,0
245	Resik	8	MANTRUJERON	60		47,00	184,0	4,00	5,00	0,00
246	Naga Biru	9	MANTRUJERON	44		12,00	51,0	0,00	1,00	
247	Mentari 10	10	MANTRUJERON	52		7,00	26,0	2,00	4,00	0,00
248	Bersih Berseri	4	PRAWIRODIRJAN	23		4,0	16,0	0,0	4,0	2,0
249	Migunani Mulya	5	PRAWIRODIRJAN	35		7,0	29,0	0,0	3,0	4,0
250	Ngudi Resik	6	PRAWIRODIRJAN	21		3,0	18,0	0,0	1,0	2,0
251	Kencana Biru	8	PRAWIRODIRJAN	22		34,0	97,0	0,0	6,0	3,0
252	Sekar Melati	9	PRAWIRODIRJAN	25		11,0	43,0	0,0	1,0	3,0
253	Mandiri Damai B	10	PRAWIRODIRJAN	61		53,0	217,0	0,0	14,0	0,0
254	Nurani Lestari	11	PRAWIRODIRJAN	36		12,0	65,0	0,0	2,0	0,0
255	Sumber Mulyo	12	PRAWIRODIRJAN	44		17,0	32,0	0,0	7,0	0,0
256	Guyup Rukun	13	PRAWIRODIRJAN	35		16,0	31,0	0,0	1,0	0,0
257	Bersih Sejahtera	14	PRAWIRODIRJAN	47		23,0	46,0	0,0	2,0	8,0
258	Bina Karya	15	PRAWIRODIRJAN	37		45,0	75,0	0,0	3,0	2,0
259	Sejahtera	17	PRAWIRODIRJAN	34		37,0	67,0	0,0	2,0	0,0
260	Sumber Rejeki	16	PRAWIRODIRJAN	48		19,0	67,0	0,0	17,0	0,0
261	KADIPATEN TRASH BAG	3	KADIPATEN	48		8,0	53,0	2,0	1,0	0,0
262	Konco Segitri	3	KADIPATEN	18		5,0	119,0	14,0	6,0	0,0
263	TANGAN LUTHIK	4	KADIPATEN	15		47,0	231,0	9,0	12,0	0,0
264	TANGAN GUYUB	6	KADIPATEN	73		28,0	93,0	21,0	13,0	0,0
265	WOTERSIH	10	KADIPATEN	48		114,0	375,0	23,0	32,0	0,0
266	GULASTERA	12	KADIPATEN	49		18,0	96,0	3,0	2,0	0,0
267	LESTARI	15	KADIPATEN	44		21,0	43,0	4,0	17,0	0,0
268	Langen Ngudi Rejeki	1	PANEMBAHAN	35		9,0	63,0	4,0	16,0	0,0
269	SILIRAN SHANTIKA	4	PANEMBAHAN	48		28,0	143,0	12,0	11,0	5,0
270	BERKAH MAJU	9	PANEMBAHAN	65		29,0	47,0	1,0	4,0	11,0
271	SURYA INDAH	8	PANEMBAHAN	45		57,0	723,0	432,0	78,0	54,0
272	BERKAH	5	PANEMBAHAN	91		25,0	46,0	3,0	0,0	78,0
273	RESIK UMTUNG	17	PANEMBAHAN	21		37,0	123,0	15,0	32,0	0,0
274	SEDYO RAHAYU	6	PANEMBAHAN	50		14,0	34,0	4,0	13,0	0,0
275	Guyup Rukun	1	SURYADININGRATAN	50		80,0	222,0	10,0	84,0	0,0
276	NGUDI PENI	4	SURYADININGRATAN	50		7,0	76,0	5,0	6,0	0,0
277	ARTA ULUH	5	SURYADININGRATAN	40		4,0	83,0	21,0	2,0	32,0

278	NGUDI RESIK	6	SURYADININGRATAN	27	13,0	68,0	2,0	15,0	3,0
279	UBET MAKMUR	7	SURYADININGRATAN	57	17,0	117,0	2,0	4,0	9,0
280	SURYA GEMATI	8	SURYADININGRATAN	70	9,0	121,0	5,0	10,0	0,0
281	SURYA RESIK	11	SURYADININGRATAN	103	72,0	694,0	0,0	72,0	15,0
282	COMBA	12	SURYADININGRATAN	105	43,0	113,0	8,0	13,0	5,0
283	REJEKI SUMBER	14	SURYADININGRATAN	86	12,0	97,0	5,0	3,0	0,0
284	Suminar	15	SURYADININGRATAN	30	10,0	47,0	2,0	3,0	0,0
285	NGUDI RESIK	16	SURYADININGRATAN	74	250,0	4,0	9,2	250,0	0,0
286	SUMBER REJO	17	SURYADININGRATAN	17	7,0	67,0	1,0	7,0	2,0
287	GREZEK BANK	8	NGUPASAN	35	11,0	68,0	0,0	4,0	2,0
288	AWET RESIK	7	NGUPASAN	27	8,0	43,0	0,0	4,0	0,0
289	Migunani	10	NGUPASAN	33	40,0	115,0	0,0	29,0	0,0
290	MESEM	11	NGUPASAN	44	28,0	157,0	4,0	12,0	0,0
291	MIRA INSANI	12	NGUPASAN	100	38,0	197,0	75,0	34,0	0,0
292	Anggriki	13	NGUPASAN	25	11,0	68,0	5,0	12,0	0,0
293	DADOS ARTHO	6	BRONTOKUSUMAN	30	121,0	531,0	17,0	53,0	8,0
294	RE-RESIK	7	BRONTOKUSUMAN	104	65,0	276,0	12,0	45,0	0,0
295	Bumi Lestari	8	BRONTOKUSUMAN	32	200,0	50,0	9,0	34,0	0,0
296	MURAKAPI	9	BRONTOKUSUMAN	114	17,0	155,0	67,0	36,0	0,0
297	SALSABILA	11	BRONTOKUSUMAN	61	19,0	186,0	5,0	21,0	0,0
298	KARANG KUNTI	12	BRONTOKUSUMAN	48	79,0	189,0	2,0	23,0	0,0
299	ARTHO KUSUMO	13	BRONTOKUSUMAN	57	17,0	525,0	0,0	23,0	0,0
300	MEKAR ASRI	16	BRONTOKUSUMAN	29	17,0	53,0	8,0	21,0	0,0
301	SAMPAH JADI BERKAH	19	BRONTOKUSUMAN	78	8,0	121,0	0,0	0,0	0,0
302	NGUDI ARTHO	18	BRONTOKUSUMAN	21	29,0	183,0	4,0	12,0	0,0
303	KAMILIYAN	22	BRONTOKUSUMAN	73	28,0	79,0	8,0	12,0	0,0
304	BSQH 23	23	BRONTOKUSUMAN	25	21,0	176,0	0,0	9,0	0,0
305	BANYU MELI	14	BRONTOKUSUMAN	62	13,0	37,0	2,0	13,0	0,0
306	Kunama Agri	15	BRONTOKUSUMAN	43	26,0	78,0	8,0	12,0	0,0
307	BERSATU	1	KEPARAKAN	32	13,0	57,0	0,0	4,0	0,0
308	PUJA RIMA	5	KEPARAKAN	39	39,0	83,0	4,0	17,0	0,0
309	RW 07	7	KEPARAKAN	65	43,0	188,0	47,0	35,0	0,0
310	BERSIH MAKMUR	8	KEPARAKAN	37	9,0	37,0	4,0	7,0	0,0
311	Cempaka	9	KEPARAKAN	57	60,0	81,0	11,0	12,0	0,0
312	ARTHA MULYA	10	KEPARAKAN	32	7,0	37,0	4,0	15,0	0,0
313	ANGGREK	11	KEPARAKAN	35	23,0	97,0	8,0	16,0	0,0
314	MAKMUR SUPUR	12	KEPARAKAN	35	17,0	69,0	0,0	9,0	0,0
315	LUNBUNG ARTHA	6	KEPARAKAN	56	36,0	83,0	40,0	12,0	0,0
316	DAHLIA	12	KEPARAKAN	52	13,0	43,0	0,0	7,0	0,0
317	SAKURA	13	KEPARAKAN	23	38,0	113,0	0,0	4,0	0,0
318	KUSUMA SARI	2	BACIRO	35	21	128	6	37	0,0
319	CYNDELARAS	5	BACIRO	17	9	29	2	5	0,0
320	KUSUMA JAYA	6	BACIRO	42	27	162	13	23	0,0
321	MAWAR MERAH	7	BACIRO	109	13	183	21	13	0,0
322	NASTIT MANDIRI	10	BACIRO	58	27	138	20	32	0,0
323	MOJO INDAH	15	BACIRO	26	11	66	9	0	0,0
324	GEMI SETITI	16	BACIRO	70	37	295	76	64	0,0
325	CATLEYA	19	BACIRO	40	21	123	43	39	0,0
326	NGUDI REJEKI	20	BACIRO	26	32	204	20	13	0,0
327	SANGGRAHAN ASRI	1	SEMAKI	68	12	139	14	8	0,0
328	SUMBER HASIL	3	SEMAKI	24	13	27	5	17	0,0
329	CAJUR LESTARI	4	SEMAKI	22	9	64	2	12	0,0
330	PANCA LESTARI	5	SEMAKI	20	6	26	12	8	0,0
331	AYU	6	SEMAKI	21	12	42	0	1	0,0
332	UNGGUL	7	SEMAKI	50	9	267	112	32	0,0
333	GAYAM MANDIRI	8	SEMAKI	23	8	29	0	12	0,0
334	MANDALA ASRI	9	SEMAKI	21	8	26	0	13	0,0
335	GUYUB BUKUN	10	SEMAKI	23	12	23	0	8	0,0
336	RILU MACARIO	1	MUJAMURU	124	41	821	112	131	0,0
337	TANJUNG ASRI	2	MUJAMURU	30	8	62	6	23	0,0
338	Ling Mikul	3	MUJAMURU	31	6	38	0	2	0,0
339	Rintisan rw 4	4	MUJAMURU	21	12	23	8	8	0,0
340	BALI INDAH	5	MUJAMURU	39	9	81	4	8	0,0
341	Ramah Barokah	11	MUJAMURU	30	23	72	12	18	0,0
342	BERSIH INDAH	11	MUJAMURU	45	25	123	23	42	0,0
343	SARAH MURAHKABI	12	MUJAMURU	30	18	144	20	45	0,0

346	MAWAR	3	TAHUNAN	27		18	55	0	8	0,0
347	RUKUN ABADI	3	TAHUNAN	17		11	81	2	0	0,0
348	SIDOMAJU	4	TAHUNAN	29		9	48	5	5	0,0
349	MANDIRI	6	TAHUNAN	64		38	282	43	65	0,0
350	CB RESIK	7	TAHUNAN	33		4	53	8	12	0,0
351	NADIYA SEJAHTERA	8	TAHUNAN	24		4	66	11	4	0,0
352	SUMBER REJEKI	9	TAHUNAN	17		14	49	0	1	0,0
353	DAHLIA	10	TAHUNAN	21		3	31	0	1	0,0
354	GLAGAH WANGI	1	WARUNGBOTO	33		43	125	13	28	0,0
355	PANCASARI	2	WARUNGBOTO	35		8	54	23	30	0,0
356	SEJAHTERA	3	WARUNGBOTO	34		16	98	20	8	0,0
357	PANDEGA 16	4	WARUNGBOTO	21		15	123	8	4	0,0
358	LUMBUNG SARI	5	WARUNGBOTO	42		71	329	40	65	0,0
359	GEMAH RUPAH	6	WARUNGBOTO	72		17	160	21	25	0,0
360	AMANAH	7	WARUNGBOTO	29		17	126	17	5	0,0
361	ARTHO MORO	7	WARUNGBOTO	45		29	239	20	25	0,0
362	LOBAK 1	8	WARUNGBOTO	27		10	81	21	12	0,0
363	WB 9	9	WARUNGBOTO	62		12	121	20	14	0,0
364	MAWAR	2	PANDEYAN	58		20	78	20	8	0,0
365	Menur	3	PANDEYAN	14		13	23	2	9	0,0
366	WARGA MULYO	4	PANDEYAN	27		21	15	0	4	0,0
367	CRYSANT	4	PANDEYAN	15		17	121	41	9	0,0
368	GARUDA ASRI	7	PANDEYAN	21		23	42	12	5	0,0
369	ASRI	8	PANDEYAN	30		11	43	12	9	0,0
370	MELATI ASRI	9	PANDEYAN	38		12	34	12	6	0,0
371	TUNAS ASRI	9	PANDEYAN	34		13	9	2	13	0,0
372	PADMA ASRI	11	PANDEYAN	36		23	84	6	13	0,0
373	GUYUH ASRI	11	PANDEYAN	16		7	21	4	5	0,0
374	Empu Asri	12	PANDEYAN	18		13	81	5	6	0,0
375	TRISNA BANTALA/ASRI PERTIWI	13	PANDEYAN	53		12	31	10	5	0,0
376	ASRI PERTIWI	13	PANDEYAN	17		12	13	12	5	0,0
377	BERKAH ABADI	1	SOROSUTAN	49		12	42	6	5	0,0
378	REZEKI UWUH	2	SOROSUTAN	40		21	124	30	26	0,0
379	BERKAH MANDIRI	3	SOROSUTAN	52		14	102	23	8	0,0
380	SUMBER REJEKI	4	SOROSUTAN	54		12	175	21	9	0,0
381	TRESNO TUHU TENTREM	5	SOROSUTAN	77		10	135	5	12	0,0
382	MEKAR SARI	6	SOROSUTAN	36		12	74	21	6	0,0
383	RESIK	7	SOROSUTAN	29		14	54	21	0	0,0
384	MATAHARI	8	SOROSUTAN	40		21	132	8	12	0,0
385	SINAR LESTARI	9	SOROSUTAN	184		32	423	132	50	0,0
386	ROSOEK RESIK	10	SOROSUTAN	55		21	45	12	24	0,0
387	BAROKAH	11	SOROSUTAN	59		16	431	12	87	0,0
388	PATEN ASRI	12	SOROSUTAN	68		21	432	39	76	0,0
389	KAMPUNG LESTARI	13	SOROSUTAN	64		17	54	21	10	0,0
390	LESTARI 14	14	SOROSUTAN	71		21	312	76	53	0,0
391	MATAHARI	15	SOROSUTAN	33		9	121	18	8	0,0
392	UWUH REJO	15	SOROSUTAN	34		15	65	15	8	0,0
393	SAHAJA	16	SOROSUTAN	28		12	54	23	5	0,0
394	GUYUH MUEYO	17	SOROSUTAN	81		43	86	20	21	0,0
395	MAKMER BAROKAH	6	GIWANGAN	30		12	142	3	8	0,0
396	ALAM LESTARI	6	GIWANGAN	27		8	81	20	26	0,0
397	SADAR MANDIRI	6	GIWANGAN	15		15	86	5	8	0,0
398	SELIKUR	7	GIWANGAN	25		12	25	0	5	0,0
399	PONGGALAN 19	7	GIWANGAN	20		11	29	0	0	0,0
400	GIWANG AYU BERSINAR	8	GIWANGAN	21		19	79	12	15	0,0
401	GUYUH RUKUN	10	GIWANGAN	23		10	75	8	9	0,0
402	TABAH MANDIGA SARI	12	GIWANGAN	30		12	91	4	10	0,0
403	PRIMA	13	GIWANGAN	46		18	236	18	20	0,0
404	TUNAS HARAPAN	1	PURBAYAN	35		13	21	2	3	0,0
405	BERSERI	1	PURBAYAN	21		12	23	1	2	0,0
406	NGUDI RESIK	1	PURBAYAN	38		17	70	3	4	0,0

407	REJEKI NOMPLOK	2	PURBAYAN	23		12	23	8	5
408	GUYUB RUKUN	2	PURBAYAN	30		21	27	2	4
409	SUMIRAT 08	3	PURBAYAN	21		27	33	8	10
410	ANGGREK	4	PURBAYAN	51		12	23	0	2
411	KEMBANG BASEN	4	PURBAYAN	22		8	41	1	3
412	KEMBANG BASEN	4	PURBAYAN	71		21	121	8	4
413	MAJU SEJAHTERA	7	PURBAYAN	23		12	35	4	9
414	NGUDI RAHARJO	8	PURBAYAN	200		17	155	4	18
415	HANDAYANI	9	PURBAYAN	27		18	53	3	6
416	ANMANAH	9	PURBAYAN	26		15	45	4	2
417	BAROKAH	10	PURBAYAN	40		8	67	4	5
418	GERAKAN SAMPAH MANDIRI	1	REJOWINANGUN	13		7	49	5	4
419	RESTU IBU	2	REJOWINANGUN	29		11	27	0	2
420	SIDODADI	4	REJOWINANGUN	24		8	31	0	0
421	MURAKAPI	6	REJOWINANGUN	30		5	164	15	20
422	GUYUB RUKUN	6	REJOWINANGUN	20		8	61	0	4
423	MIGUNANI	8	REJOWINANGUN	12		6	26	4	5
424	TASREMA	8	REJOWINANGUN	18		10	21	0	0
425	SEJAHTERA MANDIRI	9	REJOWINANGUN	25		9	19	12	1
426	REJO ASRI	10	REJOWINANGUN	17		5	66	0	0
427	SIDO LUHUR	11	REJOWINANGUN	21		6	16	4	2
428	PILAHAN JAYA	13	REJOWINANGUN	28		13	15	0	0
429	PKK RW 13	13	REJOWINANGUN	25		6	19	0	2
430	AGITA	4	PRENGGAN	12		15	32	2	4
431	BAROKAH	5	PRENGGAN	256		23	87	12	22
432	Melati	6	PRENGGAN	25		12	19	0	0
433	MONDOROKO	7	PRENGGAN	221		23	87	38	23
434	TASPEN	9	PRENGGAN	41		10	15	2	5
435	KANTHIL	10	PRENGGAN	150		14	28	10	2
436	SARWO KUMPUL	12	PRENGGAN	43		6	21	0	0
437	SAMI KAREP	13	PRENGGAN	45		15	17	0	0
JUMLAH				19162		13770,4	43894,7	6247,12	7590,88
TOTAL SAMPAH TERKELOLA DI BANK SAMPAH (kg/bln)									



 الجمهورية الإسلامية اندونيسية

LAMPIRAN 2

Rincian Data Bank Sampah 2016

No.	Kecamatan	Jml. RW yg ada Bank Sampah	Jml. Bank Sampah	Jml. Nasabah (KK)	Rata-rata Jml. Sampah terolah per bulan				
					Plastik (Kg)	Kertas (Kg)	Kaca (Kg)	Logam (Kg)	Lain2 (Kg)
1	Danurejan	28	31	1,01	710,50	1.909,50	325,00	462,00	45,00
2	Gondokusuman	44	46	2,277	2.004,48	4.723,54	874,33	764,96	0,00
3	Gondomanan	19	19	732	417,00	1.451,00	84,00	158,00	26,00
4	Jetis	26	28	1,683	1.138,81	3.114,14	355,45	474,53	0,00
5	Gedongtengen	13	13	625	609,00	1.269,00	175,00	325,00	46,00
6	Kotagede	25	34	1,683	425,00	1.555,00	156,00	173,00	0,00
7	Kraton	23	25	938	782,00	3.146,00	630,00	391,00	172,00
8	Mantrijeron	24	25	1,338	983,00	3.779,98	218,20	754,00	73,00
9	Mergangsan	40	40	1,896	1.598,00	5.402,00	464,00	829,00	19,00
10	Ngampilan	12	15	950	1.068,24	2.531,50	584,74	488,50	55,00
11	Pakualaman	16	16	393	286,00	971,00	104,00	215,00	4,00
12	Tegalrejo	32	36	1,418	1.032,19	2.325,17	315,80	357,23	0,00
13	Umbulharjo	66	77	2,91	1.221,00	8.395,00	1.307,00	1.349,00	0,00
14	Wirobrajan	24	28	1,002	1.381,19	3.227,89	541,60	470,67	0,00
TOTAL		392	433	18,855	13.656,41	43.800,72	6.135,12	7.211,89	440,00

DATA TIMBANGAN TPA PIYUNGAN TAHUN 2016

BULAN	KAB BANTUL	KAB SLEMAN	KOTA YOGYAKARTA	SWASTA KAB BANTUL	SWASTA KAB SLEMAN	SWASTA KOTA	INSIDENTAL	JUMLAH (ton)
JANUARI	1.671	4.701	4.153	149	356	2.093	1.415	15.138
FEBRUARI	1.733	4.666	4.293	153	367	2.440	2.118	15.770
MARET	1.914	4.970	4.336	109	390	2.621	2.192	16.532
APRIL	1.502	4.218	2.350	54	322	2.510	1.714	12.670
MEI	1.327	4.273	4.080	71	306	147	2.075	12.279
JUNI	1.561	4.293	5.145	59	274	24	2.367	13.723
JULI	1.630	4.022	6.193	66	207	22	2.459	14.599
AGUSTUS	1.817	4.590	6.586	69	274	20	2.935	16.291
SEPTEMBER	1.633	4.341	6.085	40	263	23	2.460	14.845
OKTOBER	2.081	4.994	7.066	55	309	28	2.743	17.276
NOVEMBER	2.196	5.007	7.007	44	324	224	2.907	17.709
DESEMBER	2.271	4.945	7.105	64	271	261	1.291	16.208
Total (ton)	21.336	55.020	64.399	933	3.663	11.013	26.676	183.040
RATA-RATA	1.778	4.585	5.367	78	305	918	2.223	15.253

RATA-RATA PERHARI 176,4

LAMPIRAN 3
MESIN PENCACAH LIMBAH BOTOL PLASTIK



UNIVERSITAS ISLAM INDONESIA
الجامعة الإسلامية الاندونيسية

LAMPIRAN 4
G-CODE PEMESINAN MATA PISAU

O0000(BLADE 1 6MM)
(DATE=DD-MM-YY - 20-03-19 TIME=HH:MM - 13:57)
(MCX FILE - D:\SHREDDER UII\BLADE 1.MCX)
(NC FILE - D:\SHREDDER UII\BLADE 1 6MM.NC)
(MATERIAL - ALUMINUM MM - 2024)
(T215 | 6. FLAT ENDMILL | H215)
N100 G21
N102 G0 G17 G40 G49 G80 G90
N104 T215 M6
N106 G0 G90 G54 X-76.172 Y-40.721 S3500 M3
N108 G43 H215 Z25.
N110 Z5.
N112 G1 Z-.1 F200.
N114 X-70.103 Y-37.494 F400.
N116 G2 X-72.893 Y-31.73 R79.5
N118 G0 Z24.9
N120 X-76.172 Y-40.721
N122 Z4.9
N124 G1 Z-.2 F200.
N126 X-70.103 Y-37.494 F400.
N128 G2 X-72.893 Y-31.73 R79.5
N130 G0 Z24.8
N132 X-76.172 Y-40.721
N134 Z4.8
N136 G1 Z-.3 F200.
N138 X-70.103 Y-37.494 F400.
N140 G2 X-72.893 Y-31.73 R79.5
N142 G0 Z24.7

N144 X-76.172 Y-40.721

N146 Z4.7

N148 G1 Z-.4 F200.

N150 X-70.103 Y-37.494 F400.

N152 G2 X-72.893 Y-31.73 R79.5

N154 G0 Z24.6

N156 X-76.172 Y-40.721

N158 Z4.6

N160 G1 Z-.5 F200.

N162 X-70.103 Y-37.494 F400.

N164 G2 X-72.893 Y-31.73 R79.5

N166 G0 Z24.5

N168 X-76.172 Y-40.721

N170 Z4.5

N172 G1 Z-.6 F200.

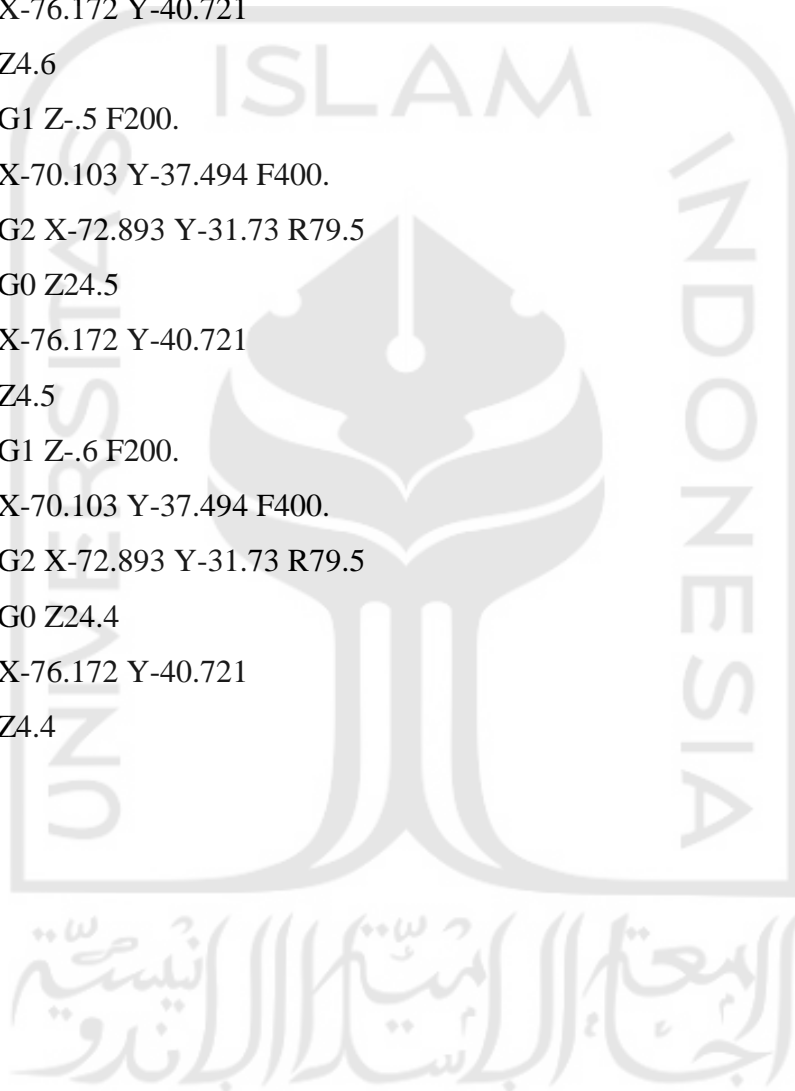
N174 X-70.103 Y-37.494 F400.

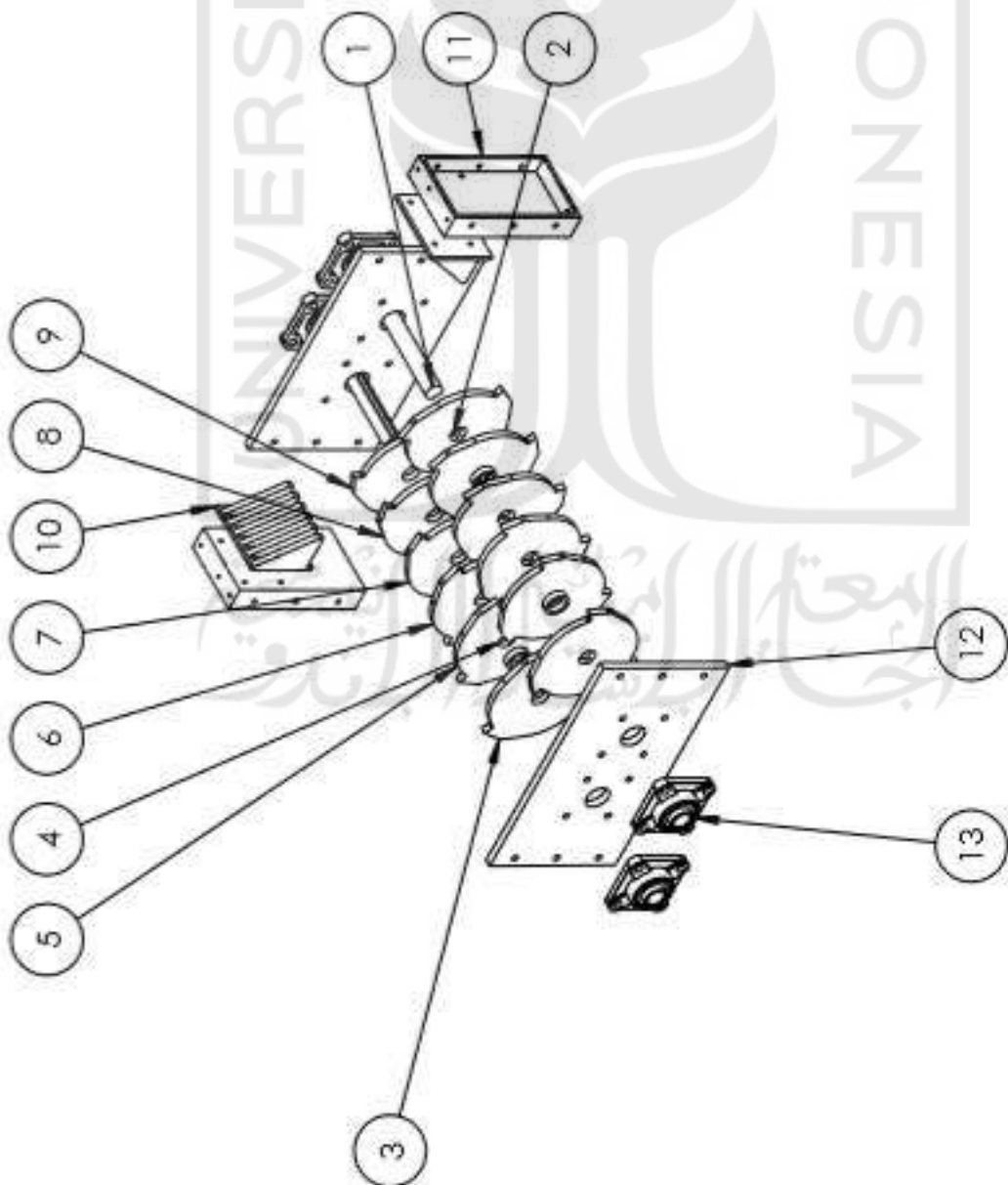
N176 G2 X-72.893 Y-31.73 R79.5

N178 G0 Z24.4

N180 X-76.172 Y-40.721

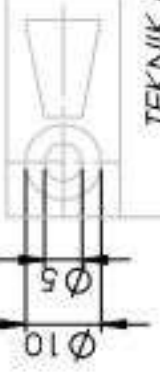
N182 Z4.4





BOM Table

ITEM NO.	PART NUMBER	Material	QTY.
1	poros baru	Low Carbon Steel	2
2	pasak baru	Alloy Steel	2
3	pisau 1	Low Carbon Steel	2
4	ring baru	Alloy Steel	12
5	pisau 2	Low Carbon Steel	2
6	pisau 3	Low Carbon Steel	2
7	pisau 4	Low Carbon Steel	2
8	pisau 5	Low Carbon Steel	2
9	pisau 6	Low Carbon Steel	2
10	dinding c	Low Carbon Steel	2
11	dinding b	Low Carbon Steel	2
12	dinding mata pisau	Low Carbon Steel	2
13	FJB pillow bearing 25mm	Alloy Steel	4



Skala : 1:10
 Satuan : mm
 Tanggal : 13-05-2019

Nama : Yoga Mufti Pratama
 Nim : 13525031
 Diperiksa : Dosen 1 dan 2

TEKNIK MESIN FTI UII

MATA PISAU SHREDDER

NO 1

A4

D

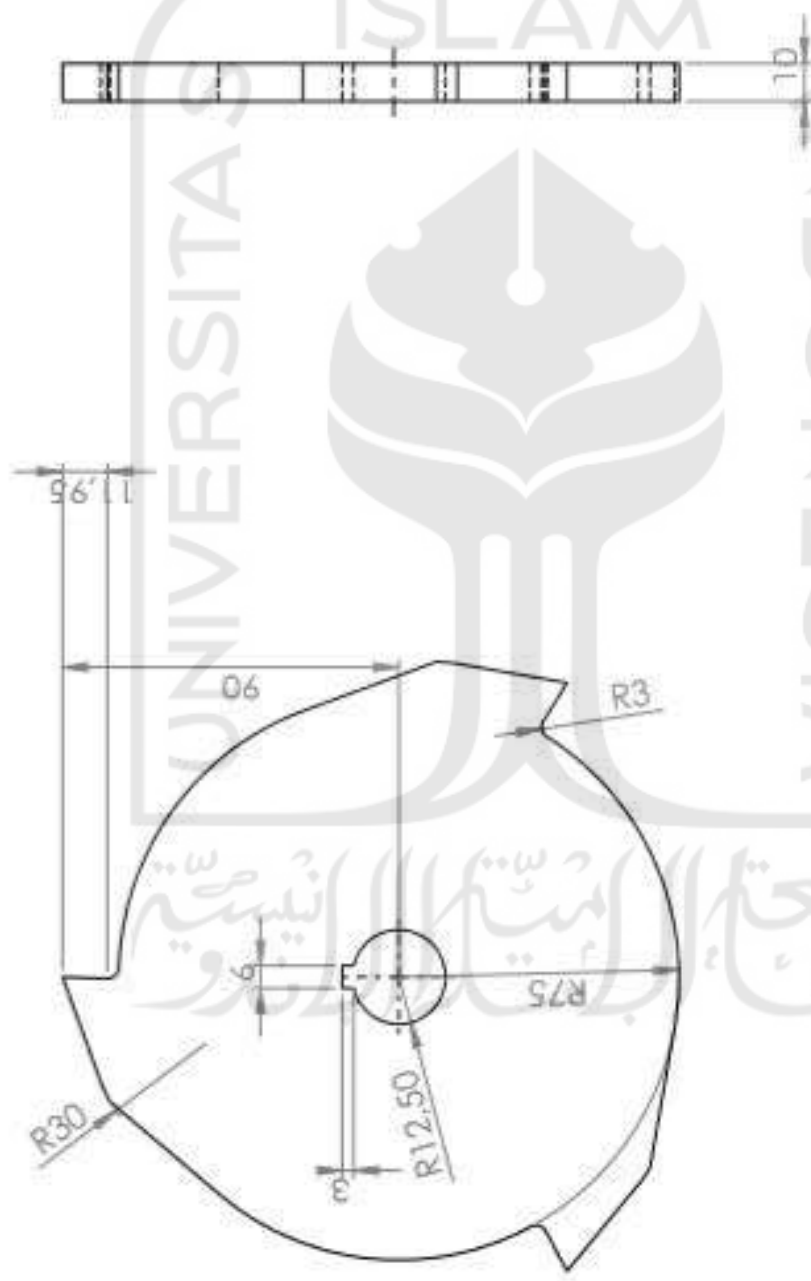
C

B

A

6 5 4 3 2 1

6 5 4 3 2 1



Skala : 1:10
 Satuan : mm
 Tanggal : 13-05-2019

Nama : Yoga Mufli Pratama
 Nim : 13525031
 Diperiksa : Dosen 1 dan 2

Keterangan

Teknik Mesin FTI Ull

Mata Pisu 1

No 1 A4

D D

C C

B B

A A

1 2 3 4 5 6

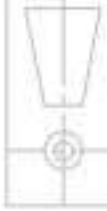
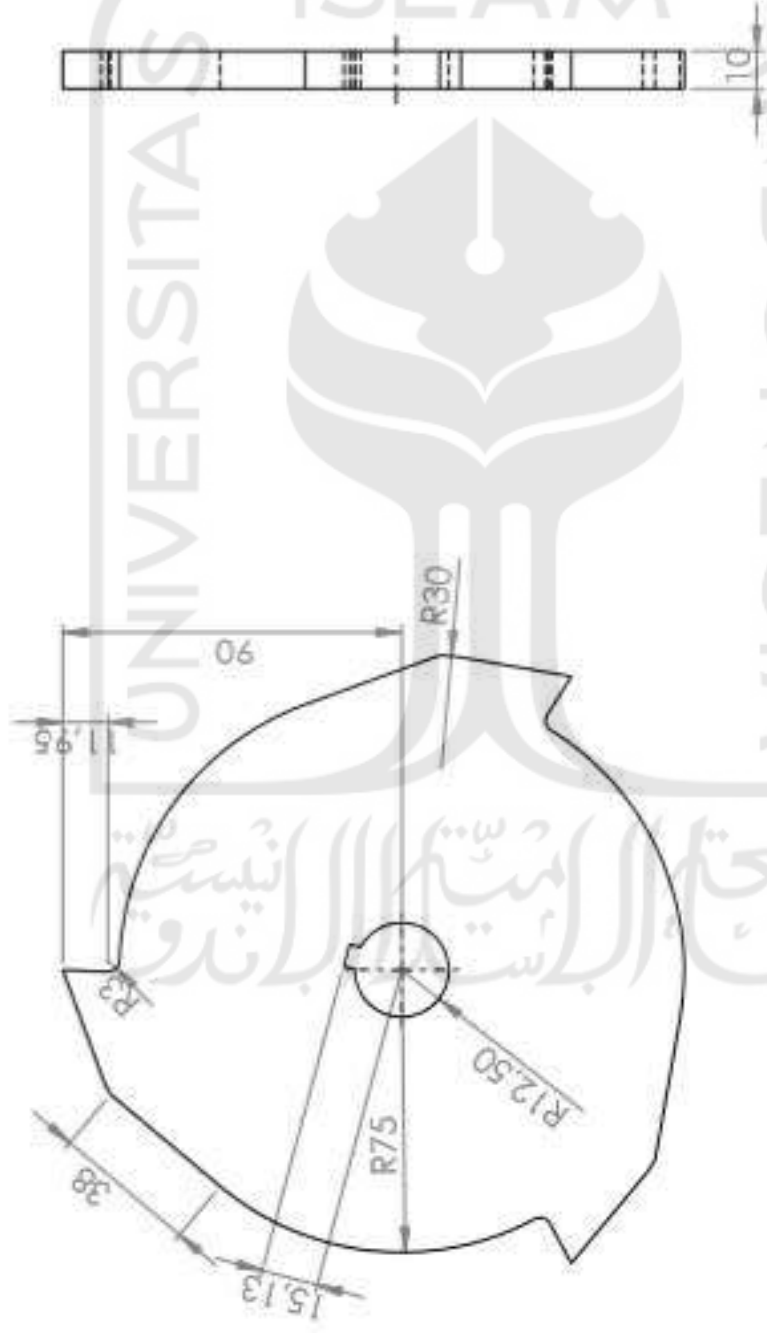
1 2 3 4 5 6

D

C

B

A



Skala : 1:10

Satuan : mm

Tanggal : 13-05-2019

Nama : Yoga Mufli Pratama

Nim : 13525031

Diperiksa : Dosen 1 dan 2

Keterangan

Teknik Mesin FTI UJI

Mata Pisu 2

No 2

A4

6

5

4

3

2

1

6

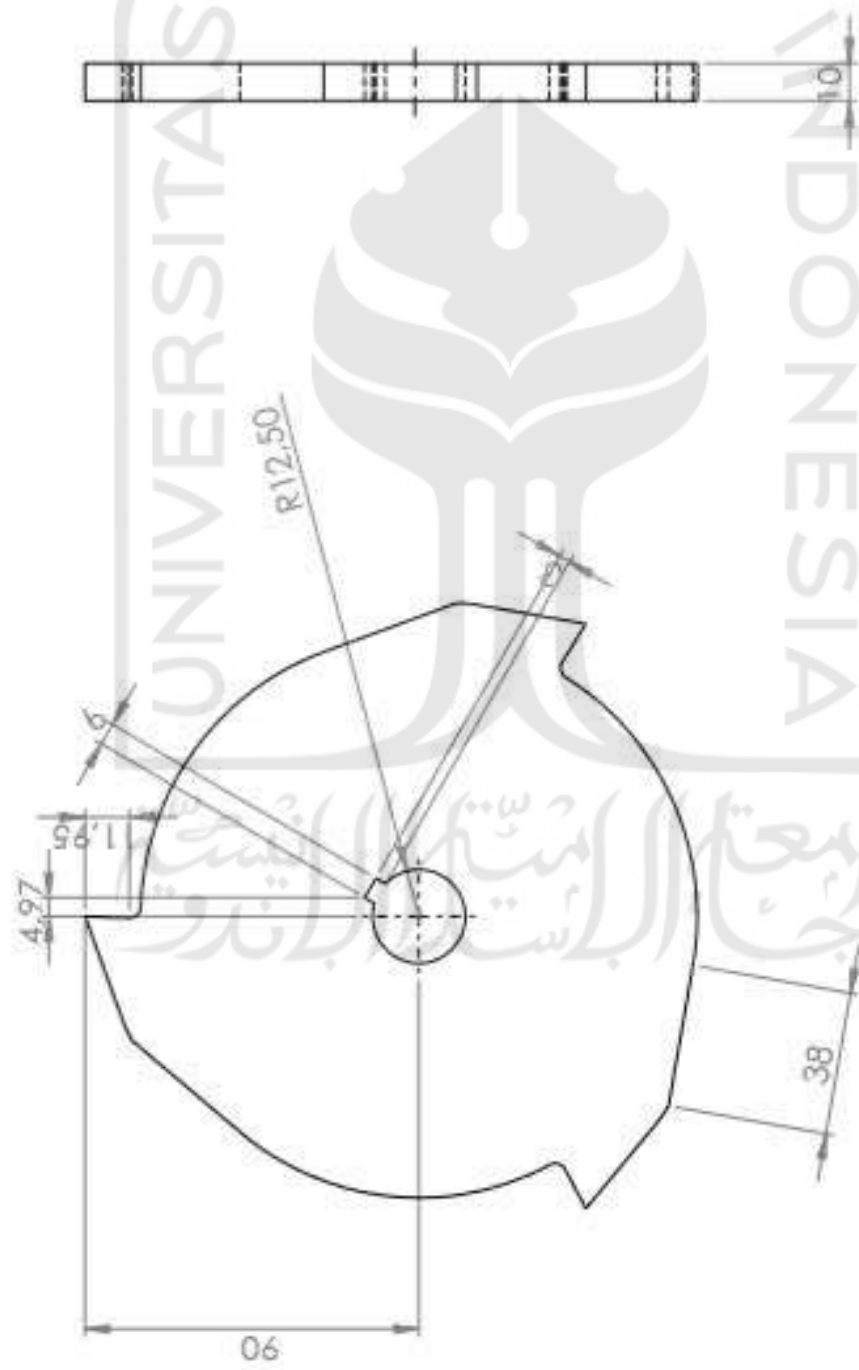
5

4

3

2

1

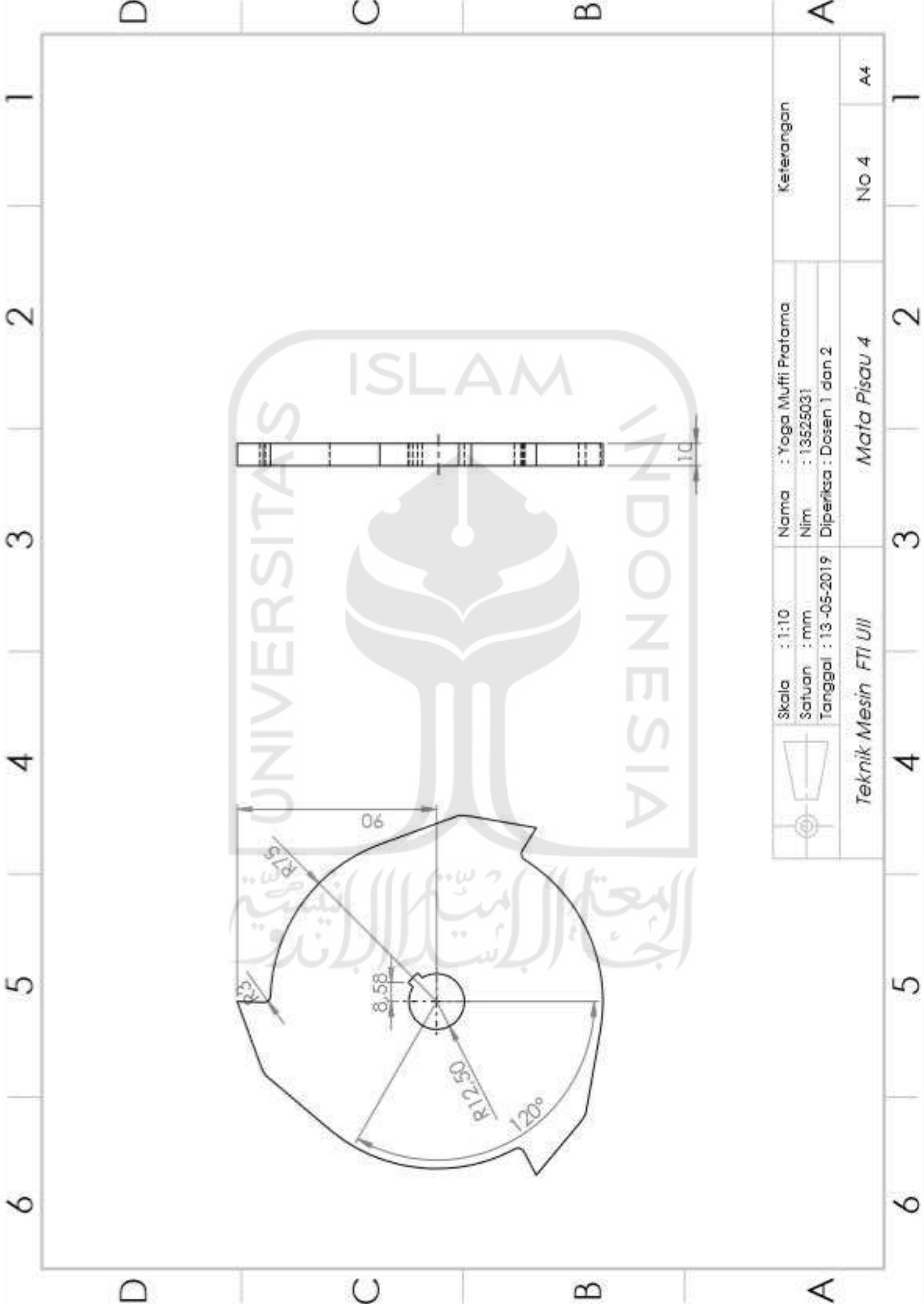


Skala : 1:10
 Satuan : mm
 Tanggal : 13-05-2019

Nama : Yoga Mufli Pratama
 Nim : 13525031
 Diperiksa : Dosen 1 dan 2

Keterangan

Teknik Mesin FTI UII	Mata Pisu 3	No 3	A4
----------------------	-------------	------	----

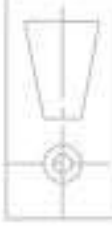
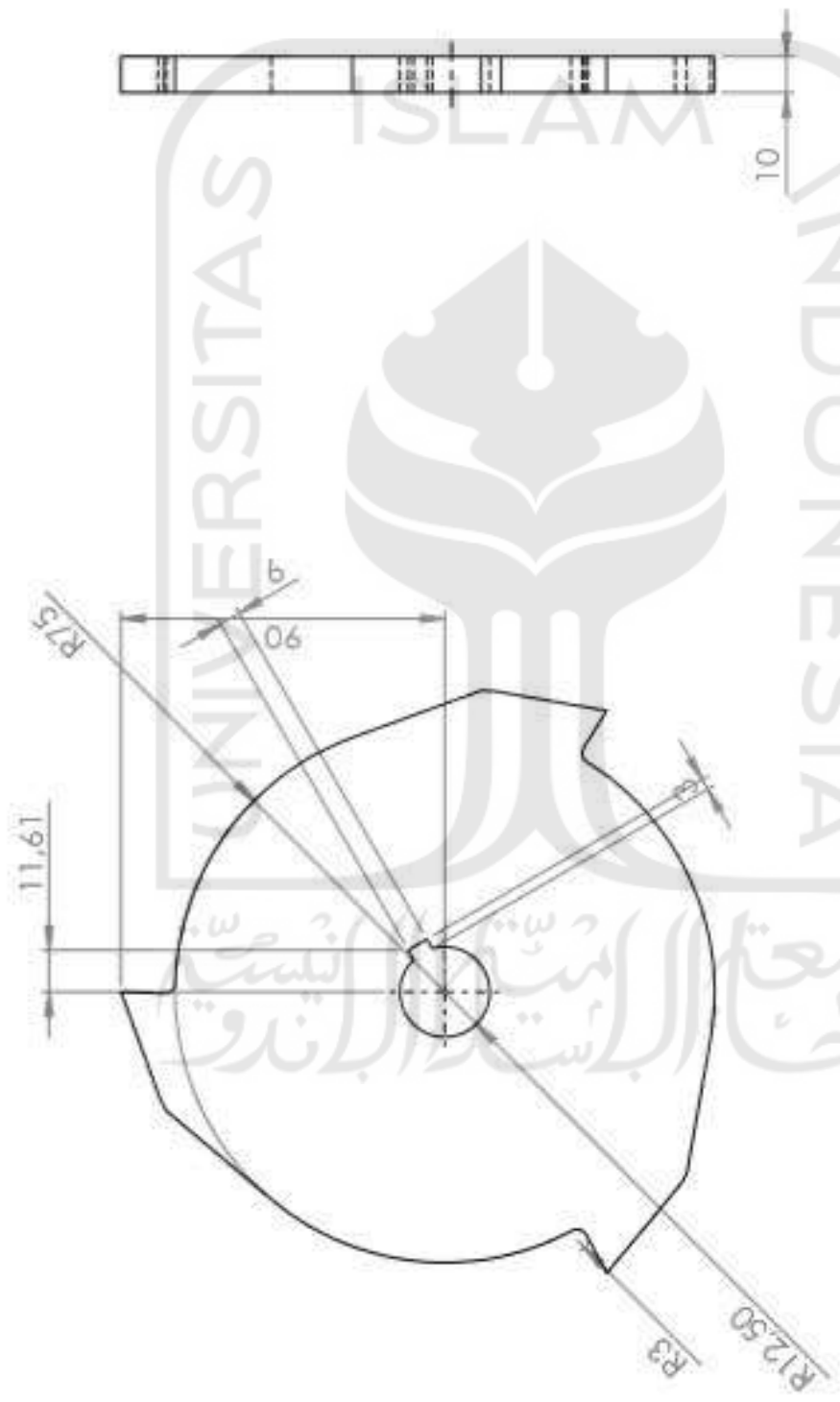


	Skala : 1:10	Nama : Yoga Mufli Pratama	Keterangan	
	Satuan : mm	Nim : 13525031		
	Tanggal : 13-05-2019	Diperiksa : Dosen 1 dan 2		
Teknik Mesin FTI UII		Mata Pisu 4	No 4	A4

6 5 4 3 2 1

D C B A

6 5 4 3 2 1



Skala : 1:10
 Satuan : mm
 Tanggal : 13-05-2019

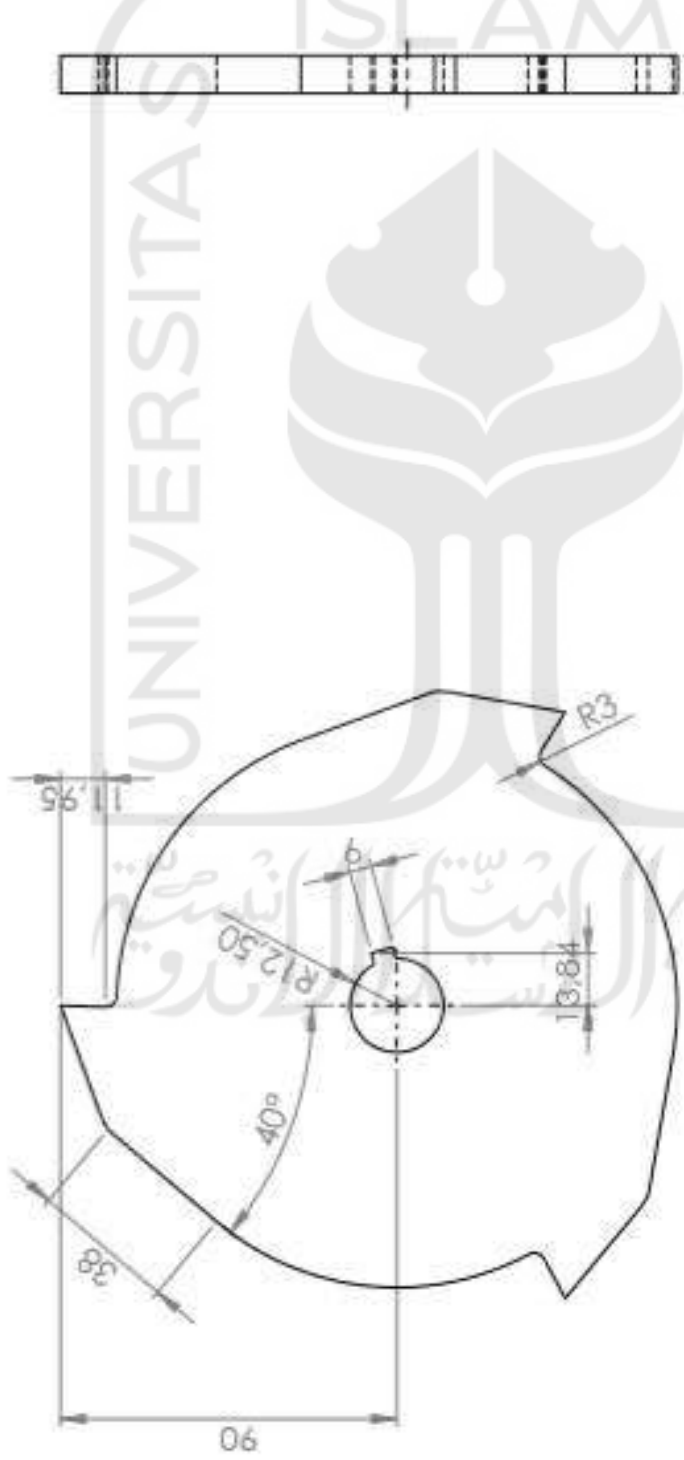
Nama : Yoga Mufti Pratama
 Nim : 13525031
 Diperiksa : Dosen 1 dan 2

Keterangan

Teknik Mesin FTI UII	Mata Pisu 5	No 5	A4
----------------------	-------------	------	----

6 5 4 3 2 1

D C B A



Skala : 1:10	Nama : Yoga Mufti Pratama	Keterangan
Satuan : mm	Nim : 13525031	
Tanggal : 13-05-2019	Diperiksa : Dosen 1 dan 2	

Teknik Mesin FTI UII

Mata Pisu 6

No 6 A4

D D

C C

B B

A A

1 2 3 4 5 6

1 2 3 4 5 6