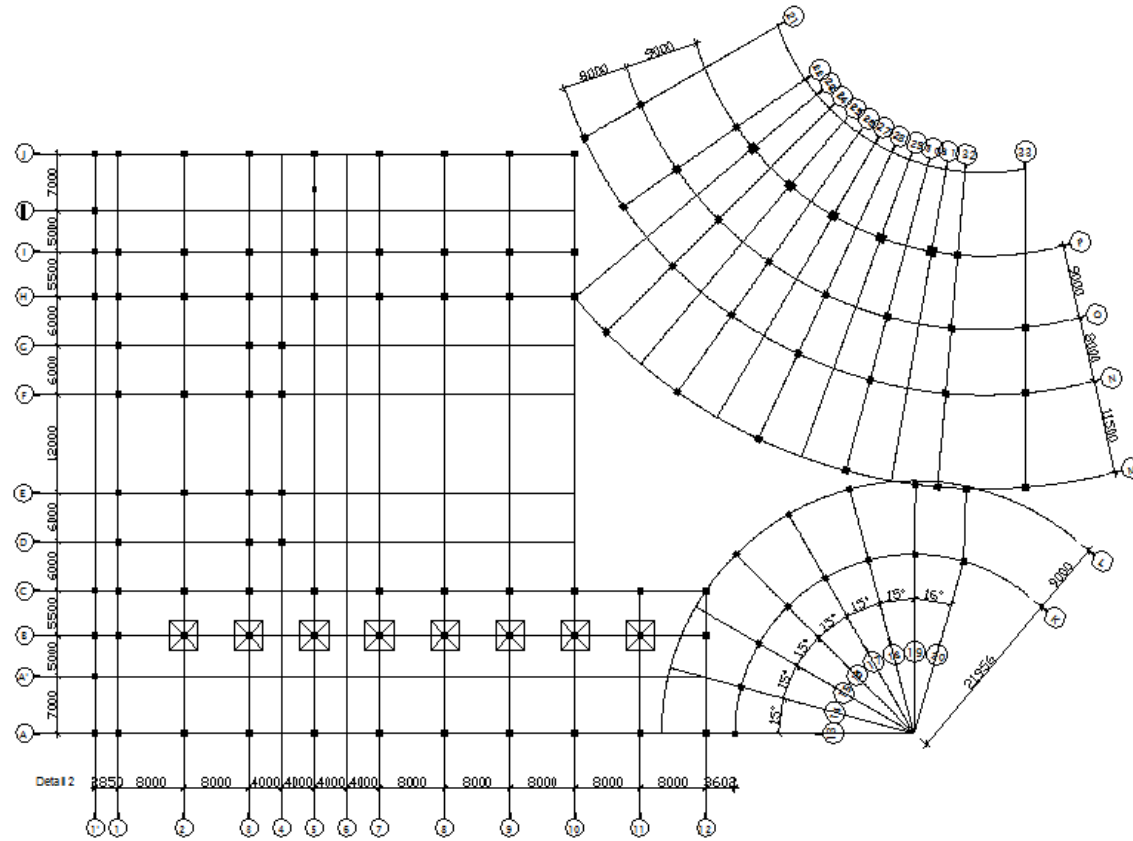
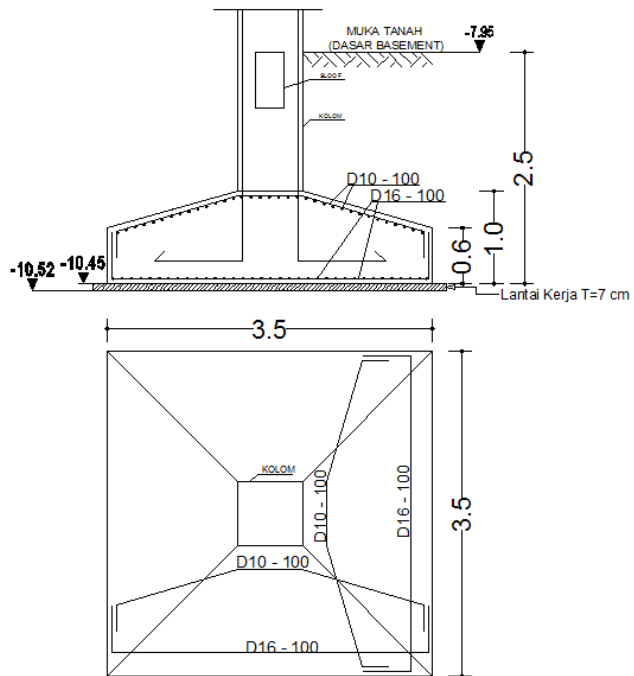


LAMPIRAN 3

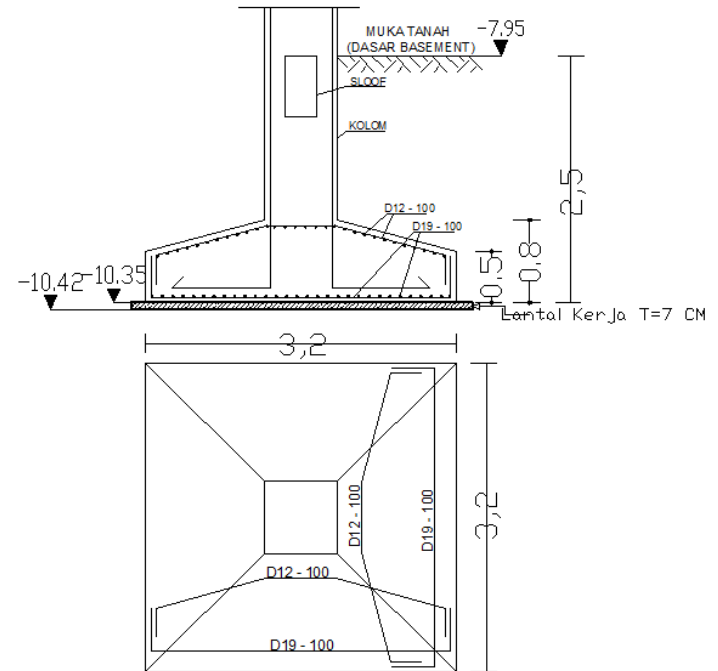
DENAH PONDASI



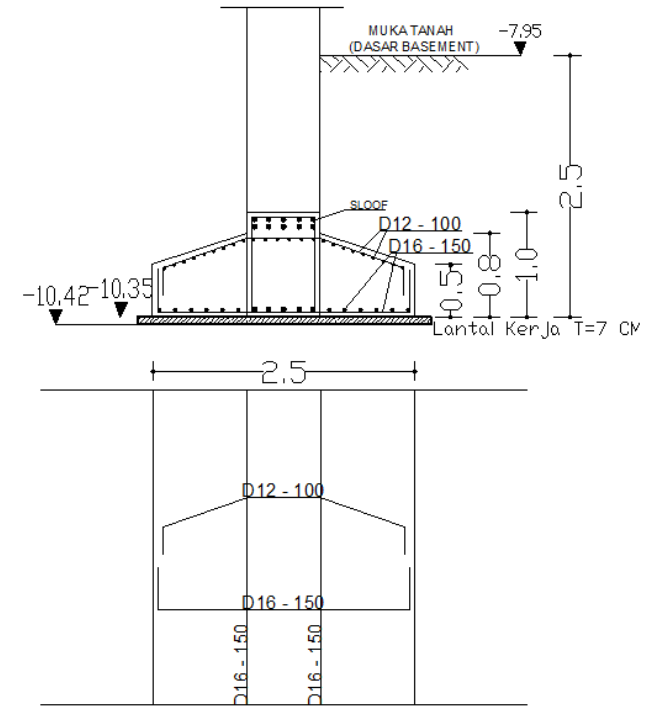
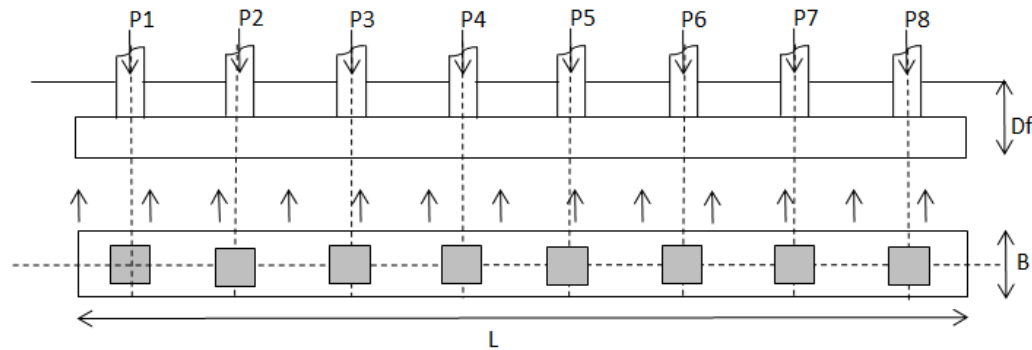
FOOTPLATE 3,5 X 3,5 METER



FOOTPLATE 3,2 X 3,2 METER



CONTINUOUS FOOTING



PONDASI GABUNGAN

