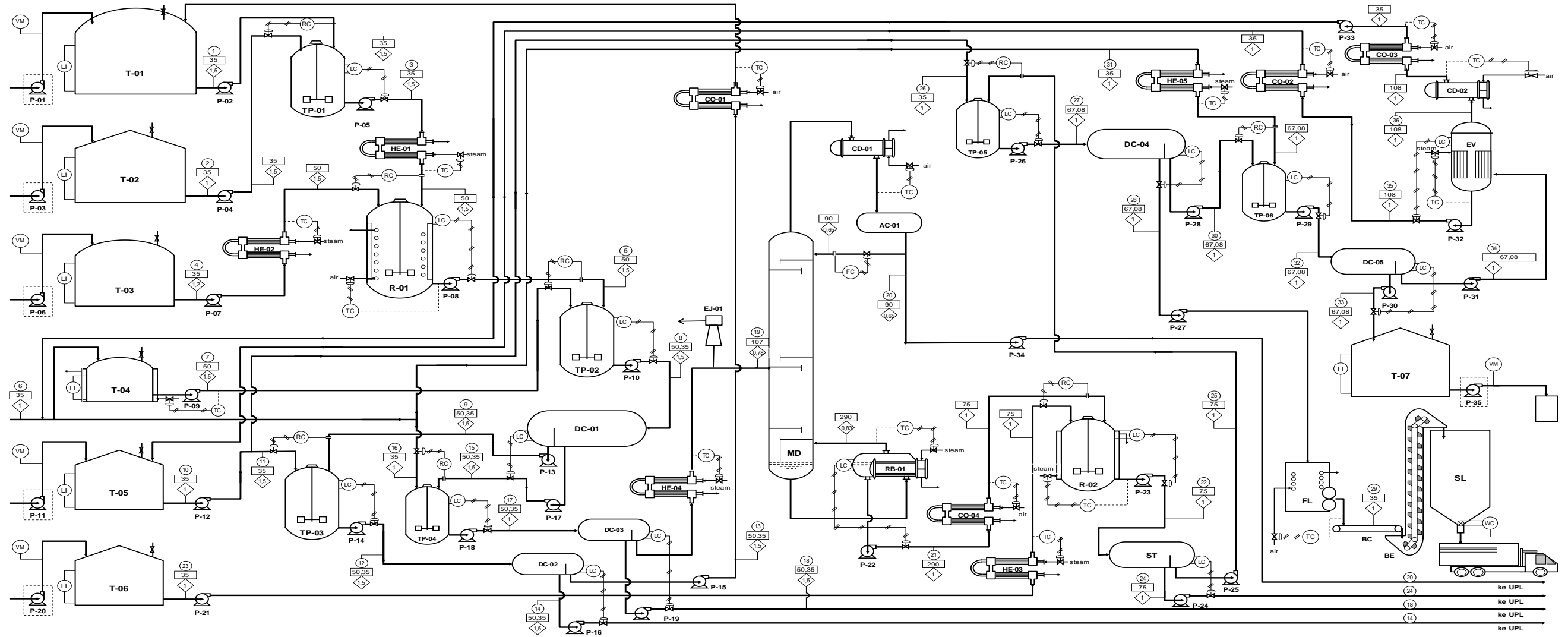


PROCESS ENGINEERING FLOW DIAGRAM
PRARANCANGAN PABRIK SODIUM STYRENE SULFONAT DARI 2 BROMO ETHYL BENZENE
 KAPASITAS PRODUKSI : 30.000 TON/TAHUN



NERACA MASSA (Kg/Jam)

KOMPONEN	N O M O R A R U S																																					
	1	2	3	4	5	6	7	8	9	10	11	12	13	14	15	16	17	18	19	20	21	22	23	24	25	26	27	28	29	30	31	32	33	34	35	36		
C ₂ H ₅ Br		4219,4749	4219,4749		170,0966			170,0966	1,7007			1,7007		1,7007	168,3650		168,3650	168,3650																				
C ₂ H ₅ Br ₂		86,1117	86,1117		86,1117			86,1117	0,8611			0,8611		0,8611	85,2506		85,2506	85,2506																				
CH ₂ Cl ₂	45251,5000			45251,5000			45251,5000		45251,5000			45251,5000																										
C ₆ H ₄ Cl ₂	689,1091			689,1091			689,1091		689,1091			689,1091																										
SO ₂				1945,0616			194,5062																															
B ₂ O ₃				102,4032			102,4032																															
C ₆ H ₅ SO ₃ Br				5800,5037			5800,5037																															
H ₂ O					5301,1804	59,2429	50,7618		23,9107	2,8019	2,8019	2,8019	50,7618	555,4328	606,1947	606,1947	606,1947	606,1947	606,1947	606,1947	606,1947	606,1947	606,1947	606,1947	606,1947	606,1947	606,1947	606,1947	606,1947	606,1947	606,1947	606,1947	606,1947	606,1947	606,1947	606,1947	606,1947	
H ₂ SO ₄																																						
C ₆ H ₅ SO ₃ Na																																						
NaOH																																						
NaBr																																						
Na ₂ SO ₄																																						
Jumlah	45940,6091	4305,5866	50246,1958	2048,0649	52294,2606	5301,1804	59,2429	52353,5036	45943,1709	1195,5369	2,8591	45946,0300	45940,6091	5,4209	6410,3326	555,4328	6965,7655	356,0198	6009,7457	705,2573	5904,4883	7398,3580	1493,8697	2642,5934	4755,7646	1195,4797	5951,2443	3610,0576	3610,0576	2341,1866	4662,5939	7003,7805	1145,7069	5858,0736	1219,3713	4638,7023		

KETERANGAN

HE	Heater	FC	Flow Controller
MD	Menara Distilasi	LC	Level Controller
AC	Accumulator	P	Pompa
BC	Belt Conveyor	R	Reaktor
BE	Bucket Elevator	RB	Reboiler
CD	Condenser	SL	Silo
CO	Cooler	ST	Seller
DC	Decanter	T	Tangki Pencampur
EV	Evaporator	TP	Tangki Penyimpan
FL	Flakker	EJ	Ejector

JURUSAN TEKNIK KIMIA
FAKULTAS TEKNOLOGI INDUSTRI
UNIVERSITAS ISLAM INDONESIA
Y O G Y A K A R T A

PROCESS ENGINEERING FLOW DIAGRAM
PRARANC. PABRIK SODIUM STYRENE SULFONAT DARI 2 BROMO ETHYL BENZENE
KAPASITAS PRODUKSI : 30.000 TON/TAHUN

Dikerjakan oleh : _____ No. Abs. : _____
 N A M A : _____ 14521271
 DOSEN PEMBIMBING : Ir. Agus Taufiq, M.Sc. 14521304
 Nur Indah Fajar M., S.T., M.Eng.