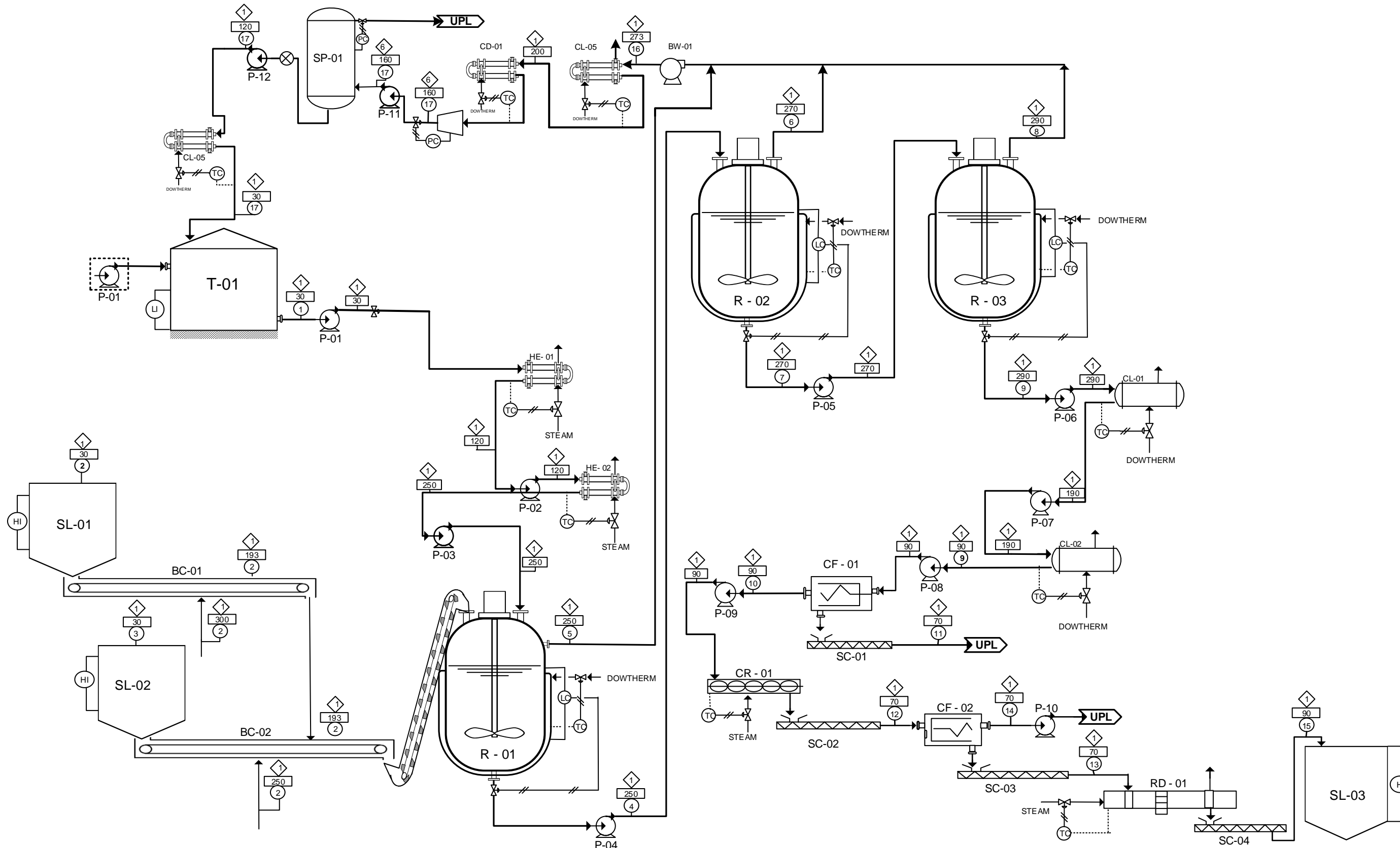


**PROCESS ENGINEERING FLOW DIAGRAM**  
**PERANCANGAN PABRIK POLIETILEN TEREFALAT DARI ETILEN GLIKOL DAN ASAM TEREFALAT**  
**KAPASITAS 100.000 TON / TAHUN**



KOMPONEN	Nomor Arus (kg/jam)																
	1	2	3	4	5	6	7	8	9	10	11	12	13	14	15	16	17
$C_8H_8O_4$	-	13498,003	-	13498,003	-	-	224,086	-	224,086	-	224,086	-	-	-	-	-	-
$C_2H_6O_2$	10082,846	-	-	-	1008,285	8,409	-	4149,746	-	-	-	-	-	-	-	5166,440	5166,440
$H_2O$	1018,469	136,343	-	136,343	3789,363	244,131	-	-	-	-	-	-	-	-	-	4033,494	-
$C_{12}H_{14}O_6$	-	-	-	18588,214	-	-	2651,890	-	-	-	-	-	-	-	-	-	-
$C_2H_6O_2(C_{10}H_8O_4)$	-	-	-	-	-	-	16817,908	-	2693,789	2155,031	538,758	2155,031	33,636	134,543	-	-	-
$C_2H_6O_2(C_{10}H_8O_4)$	-	-	-	-	-	-	-	-	12626,263	12626,263	-	12626,263	12626,263	-	12626,263	-	-
$SB_2O_3$	-	-	236,622	236,622	-	-	236,622	-	236,622	-	236,622	-	-	-	-	-	-
<b>Total</b>	<b>10184,692</b>	<b>13634,346</b>	<b>236,622</b>	<b>32459,182</b>	<b>4797,647</b>	<b>252,540</b>	<b>19930,505</b>	<b>4149,746</b>	<b>15780,758</b>	<b>14781,293</b>	<b>999,465</b>	<b>14781,293</b>	<b>12659,899</b>	<b>134,543</b>	<b>12626,263</b>	<b>9199,933</b>	<b>5166,440</b>

ALAT	KETERANGAN
CL	Cooler
CR	Cristalizer
P	Pump
R	Reaktor
BC	Belt Conveyor
SL	Silo
BE	Bucket Elevator
M	Mixer
HE	Heat Exchanger
T	Tank
CD	Condensator
SP	Separator
CF	Centrifuge
RD	Rotary Dryer

SIMBOL	KETERANGAN
(HI)	Humidity Indikator
(LI)	Level Indikator
(PC)	Pressure Controller
(TC)	Temperature Controller
Flow Number	Flow Number
(C)	Temperature (C)
(atm)	Pressure (atm)
Control Valve	Control Valve
Electric Connection	Electric Connection
Piping	Piping
Air Pressure	Air Pressure
Vent	Vent

**JURUSAN TEKNIK KIMIA**  
**FAKULTAS TEKNOLOGI INDUSTRI**  
**UNIVERSITAS ISLAM INDONESIA**  
**JOGJAKARTA**

PROCESS ENGINEERING FLOW DIAGRAM  
**PABRIK POLIETILEN TEREFALAT DARI ASAM TEREFALAT**  
**DAN ETILEN GLIKOL**  
 KAPASITAS 100.000 TON / TAHUN

Dikerjakan oleh:  
 1. CHANDA FEBRI YANTI (14521012)  
 2. MUHAMMAD RIZKY M (14521238)

Dosen pembimbing:  
 1. Dr. Farham HM Saleh, MSIE

