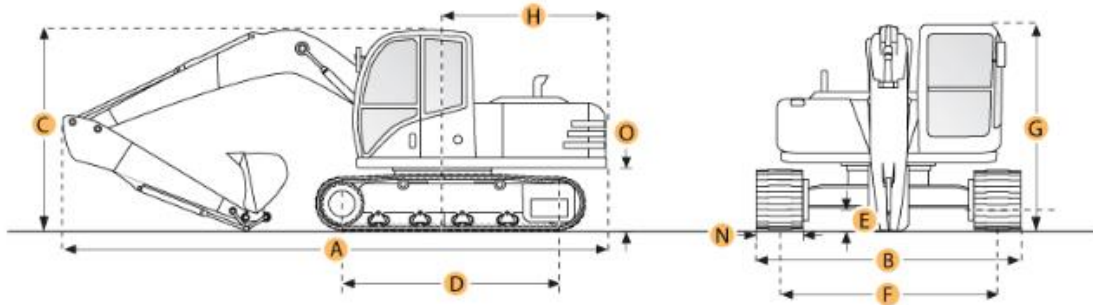


Lampiran 4 Spesifikasi *Excavator Kobelco SK200-8*



Selected Dimensions

Boom/Stick Option (HEX) 1

A. SHIPPING LENGTH OF UNIT	31 ft in	9450 mm
C. SHIPPING HEIGHT OF UNIT	9.9 ft in	3030 mm
J. MAX LOADING HEIGHT	22.7 ft in	6910 mm
K. MAX REACH ALONG GROUND	31.9 ft in	9730 mm
L. MAX VERTICAL WALL DIGGING DEPTH	20 ft in	6100 mm
M. MAX DIGGING DEPTH	22 ft in	6700 mm

Dimensions

B. WIDTH TO OUTSIDE OF TRACKS	9.2 ft in	2800 mm
D. LENGTH OF TRACK ON GROUND	11.1 ft in	3370 mm
E. GROUND CLEARANCE	1.5 ft in	450 mm
H. TAIL SWING RADIUS	9 ft in	2750 mm

Undercarriage

N. SHOE SIZE	23.6 in	600 mm
--------------	---------	--------

Specification

Engine

NUMBER OF CYLINDERS	4	
MAKE	2511	
MODEL	J05E	
GROSS POWER	152.9 hp	114 kw
POWER MEASURED @	2000 rpm	
DISPLACEMENT	311.2 cu in	5.1 L

Operational

OPERATING WEIGHT	44533.4 lb	20200 kg
HYDRAULIC SYSTEM RELIEF VALVE PRESSURE	4974.8 psi	34300 kPa
HYDRAULIC PUMP FLOW CAPACITY	116.2 gal/min	440 L/min

Undercarriage

SHOE SIZE	23.6 in	600 mm
MAX TRAVEL SPEED	3.7 mph	6 km/h

Buckets

REFERENCE BUCKET CAPACITY	1.2 yd ³	0.9 m ³
---------------------------	---------------------	--------------------

Boom/Stick Option (HEX) 1

SHIPPING HEIGHT OF UNIT	9.9 ft in	3030 mm
SHIPPING LENGTH OF UNIT	31 ft in	9450 mm
MAX DIGGING DEPTH	22 ft in	6700 mm
MAX REACH ALONG GROUND	31.9 ft in	9730 mm
MAX LOADING HEIGHT	22.7 ft in	6910 mm
MAX VERTICAL WALL DIGGING DEPTH	20 ft in	6100 mm

Dimensions

WIDTH TO OUTSIDE OF TRACKS	9.2 ft in	2800 mm
GROUND CLEARANCE	1.5 ft in	450 mm
TAIL SWING RADIUS	9 ft in	2750 mm
LENGTH OF TRACK ON GROUND	11.1 ft in	3370 mm

