

TUGAS AKHIR

Nama

Hasbul Wafi  
13511188

Dosen Pembimbing

Ir. Suharyatmo, M.,T.

Gambar

Alinyemen Layout

Skala

1 : 500

Lampiran

1

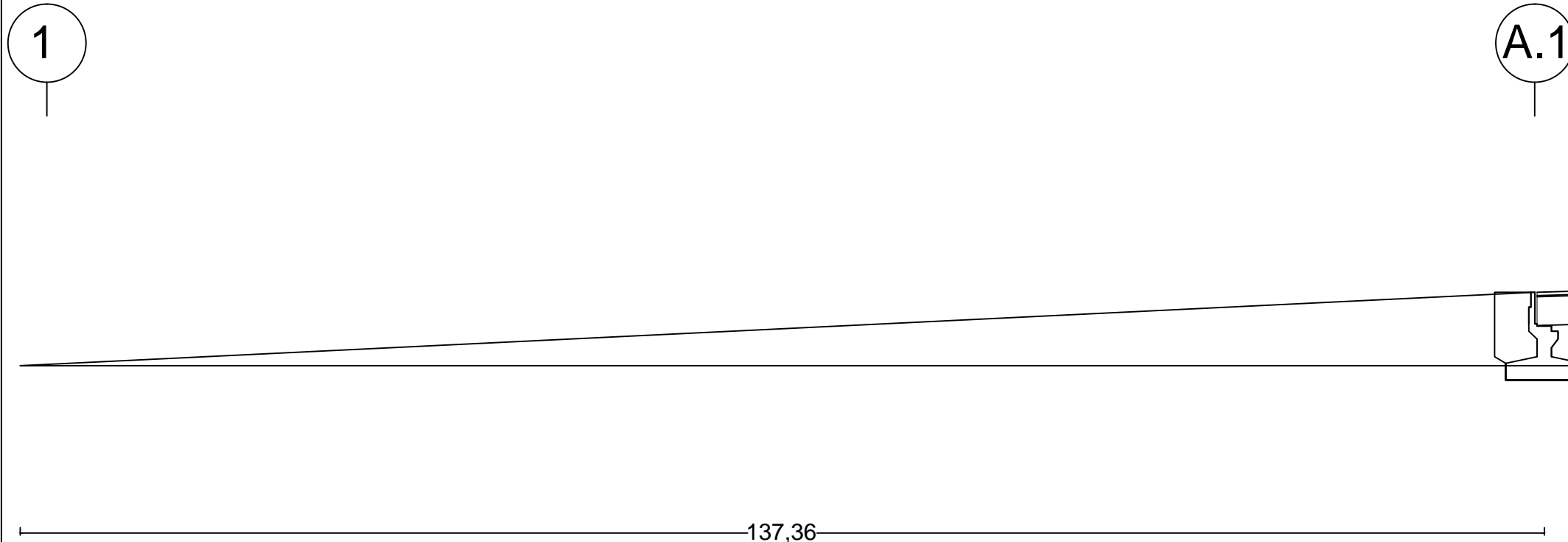
Data Mutu Beton

box girder (f'c) = 48,9 Mpa  
abutmen (f'c) = 29 Mpa  
pilar (f'c) = 29 Mpa

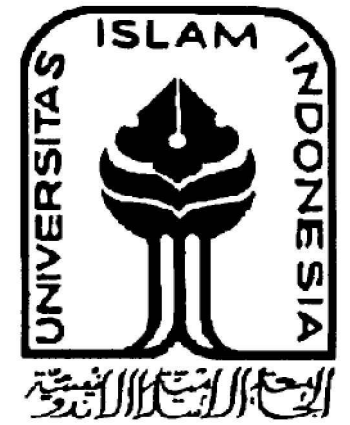
Data Mutu Baja

D > 12 mm (fy) = 240 Mpa  
D < 12 mm (fy) = 400 Mpa

Baja Prategang (fpu) = 1860 Mpa  
(fpy) = 1676 Mpa



|      | Elevasi Existing | Elevasi Finish Grade | Station    |
|------|------------------|----------------------|------------|
| 1    | 24.7480          | 24.7480              | 0+000.0000 |
| A.1  | 24.7480          | 31.3718              | 0+137.3616 |
| P.1  | 24.7480          | 33.1540              | 0+196.7577 |
| P.2  | 24.7452          | 34.9515              | 0+256.9037 |
| P.3  | 24.6802          | 36.7406              | 0+317.0498 |
| P.4  | 25.3800          | 36.7406              | 0+377.2498 |
| P.5  | 18.8956          | 36.7406              | 0+437.4498 |
| P.6  | 24.2847          | 36.7406              | 0+497.6498 |
| P.7  | 26.0080          | 36.7406              | 0+557.8498 |
| P.8  | 25.8834          | 36.7406              | 0+618.0498 |
| P.9  | 25.8640          | 36.7406              | 0+678.2498 |
| P.10 | 25.5460          | 34.9440              | 0+738.3958 |
| P.11 | 26.4765          | 33.1458              | 0+798.5418 |
| A.2  | 26.1171          | 31.3718              | 0+857.9379 |
| 2    | 25.3280          | 25.3280              | 1+000.0000 |



TUGAS AKHIR

Nama

Hasbul Wafi  
13511188

Dosen Pembimbing

Ir. Suharyatmo, M.,T.

Gambar

Alinyemen Layout

Skala

1 : 500

Lampiran

1

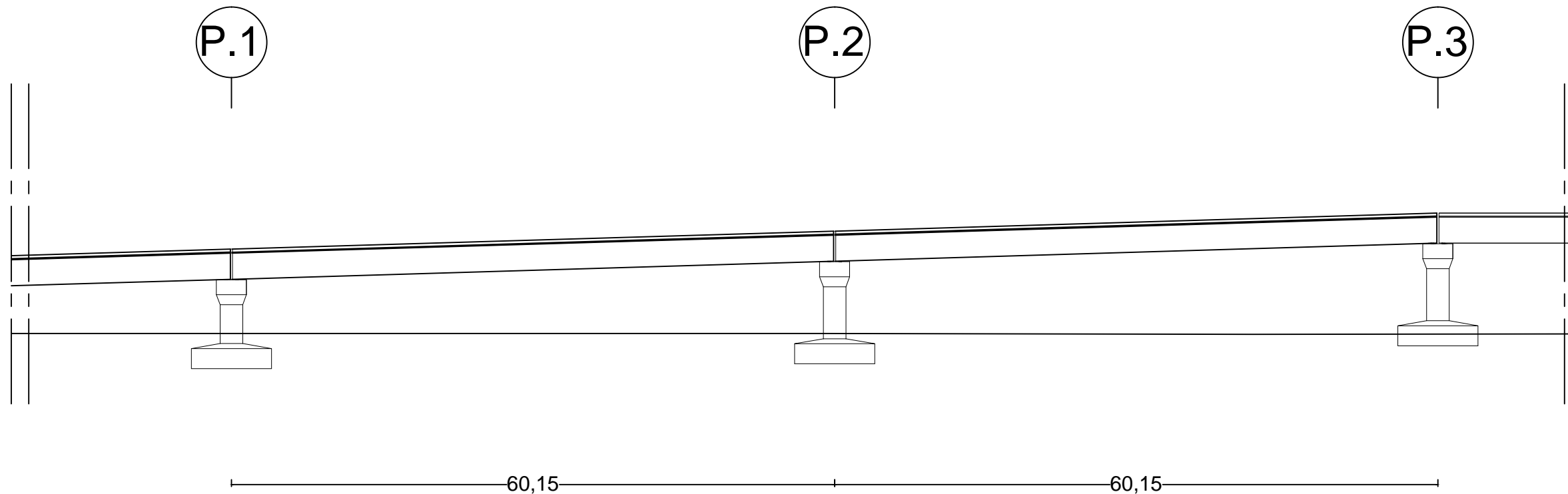
Data Mutu Beton

box girder (f'c) = 48,9 Mpa  
abutmen (f'c) = 29 Mpa  
pilar (f'c) = 29 Mpa

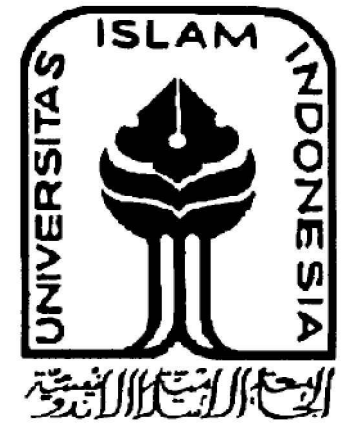
Data Mutu Baja

D > 12 mm (fy) = 240 Mpa  
D < 12 mm (fy) = 400 Mpa

Baja Prategang (fpu) = 1860 Mpa  
(fpy) = 1676 Mpa



|      | Elevasi Existing | Elevasi Finish Grade | Station    |
|------|------------------|----------------------|------------|
| 1    | 24.7480          | 24.7480              | 0+000.0000 |
| A.1  | 24.7480          | 31.3718              | 0+137.3616 |
| P.1  | 24.7480          | 33.1540              | 0+196.7577 |
| P.2  | 24.7452          | 34.9515              | 0+256.9037 |
| P.3  | 24.6802          | 36.7406              | 0+317.0498 |
| P.4  | 25.3800          | 36.7406              | 0+377.2498 |
| P.5  | 18.8956          | 36.7406              | 0+437.4498 |
| P.6  | 24.2847          | 36.7406              | 0+497.6498 |
| P.7  | 26.0080          | 36.7406              | 0+557.8498 |
| P.8  | 25.8834          | 36.7406              | 0+618.0498 |
| P.9  | 25.8640          | 36.7406              | 0+678.2498 |
| P.10 | 25.5460          | 34.9440              | 0+738.3958 |
| P.11 | 26.4765          | 33.1458              | 0+798.5418 |
| A.2  | 26.1171          | 31.3718              | 0+857.9379 |
| 2    | 25.3280          | 25.3280              | 1+000.0000 |



TUGAS AKHIR

Nama

Hasbul Wafi  
13511188

Dosen Pembimbing

Ir. Suharyatmo, M.,T.

Gambar

Alinyemen Layout

Skala

1 : 500

Lampiran

1

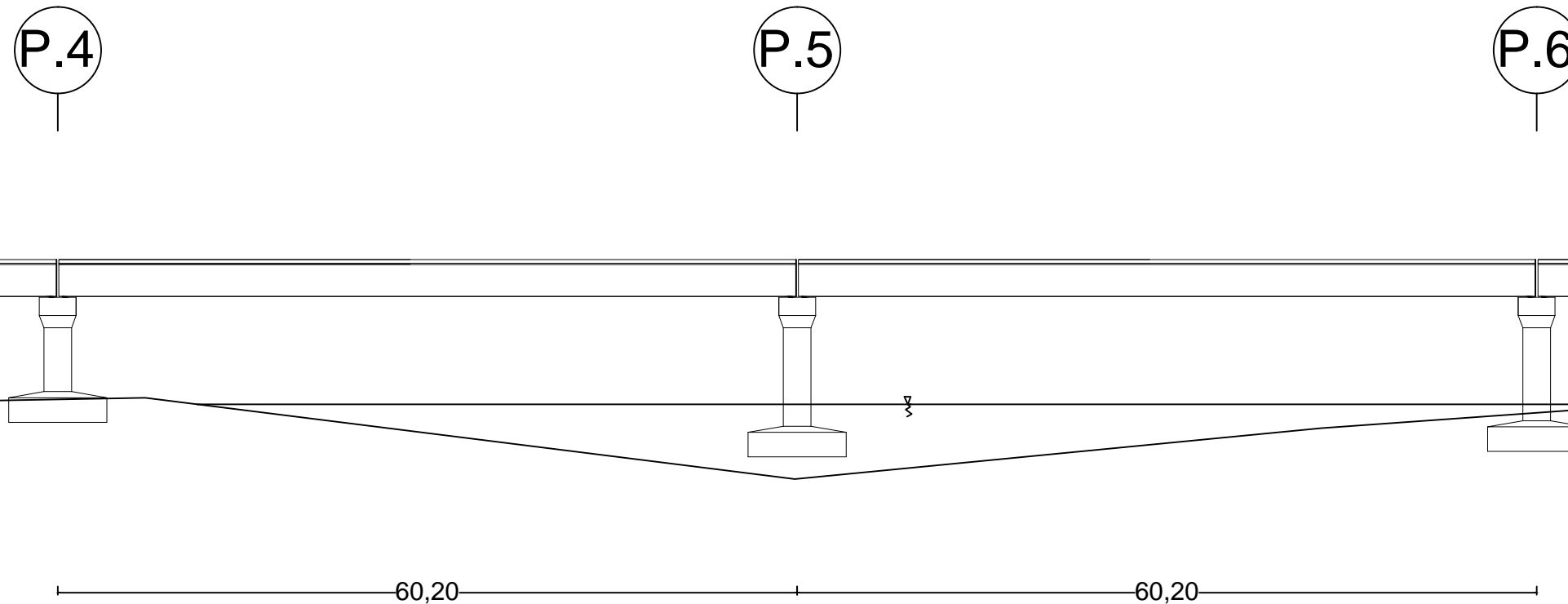
Data Mutu Beton

box girder (f'c) = 48,9 Mpa  
abutmen (f'c) = 29 Mpa  
pilar (f'c) = 29 Mpa

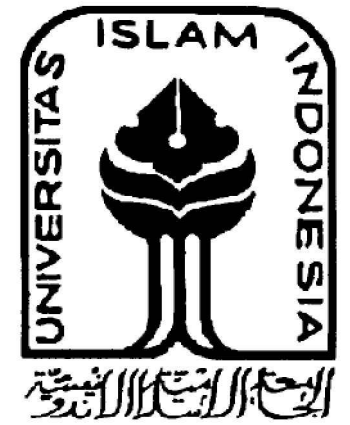
Data Mutu Baja

D > 12 mm (fy) = 240 Mpa  
D < 12 mm (fy) = 400 Mpa

Baja Prategang (fpu) = 1860 Mpa  
(fpy) = 1676 Mpa



|      | Elevasi Existing | Elevasi Finish Grade | Station    |
|------|------------------|----------------------|------------|
| 1    | 24.7480          | 24.7480              | 0+000.0000 |
| A.1  | 24.7480          | 31.3718              | 0+137.3616 |
| P.1  | 24.7480          | 33.1540              | 0+196.7577 |
| P.2  | 24.7452          | 34.9515              | 0+256.9037 |
| P.3  | 24.6802          | 36.7406              | 0+317.0498 |
| P.4  | 25.3800          | 36.7406              | 0+377.2498 |
| P.5  | 18.8956          | 36.7406              | 0+437.4498 |
| P.6  | 24.2847          | 36.7406              | 0+497.6498 |
| P.7  | 26.0080          | 36.7406              | 0+557.8498 |
| P.8  | 25.8834          | 36.7406              | 0+618.0498 |
| P.9  | 25.8640          | 36.7406              | 0+678.2498 |
| P.10 | 25.5460          | 34.9440              | 0+738.3958 |
| P.11 | 26.4765          | 33.1458              | 0+798.5418 |
| A.2  | 26.1171          | 31.3718              | 0+857.9379 |
| 2    | 25.3280          | 25.3280              | 1+000.0000 |



TUGAS AKHIR

Nama

Hasbul Wafi  
13511188

Dosen Pembimbing

Ir. Suharyatmo, M.,T.

Gambar

Alinyemen Layout

Skala

1 : 500

Lampiran

1

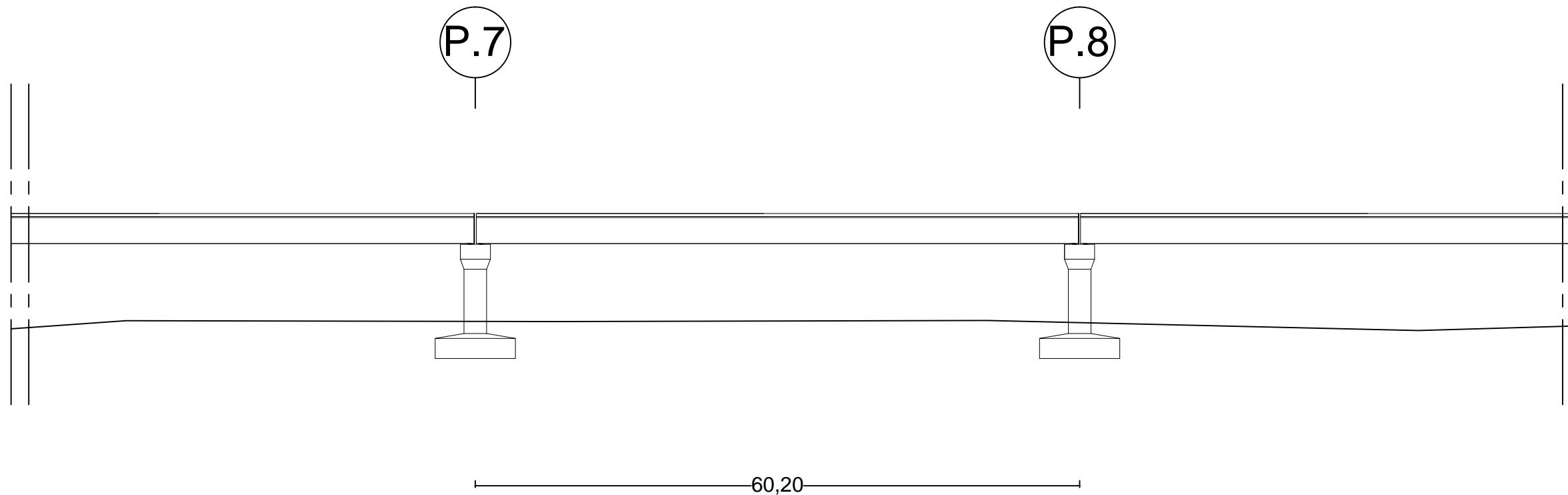
Data Mutu Beton

box girder (f'c) = 48,9 Mpa  
abutmen (f'c) = 29 Mpa  
pilar (f'c) = 29 Mpa

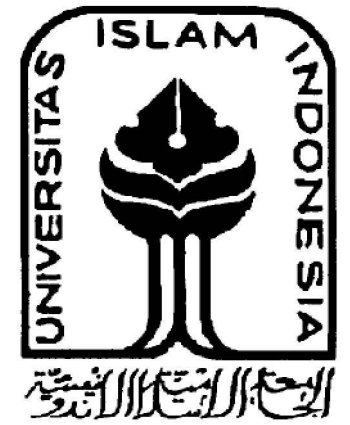
Data Mutu Baja

D > 12 mm (fy) = 240 Mpa  
D < 12 mm (fy) = 400 Mpa

Baja Prategang (fpu) = 1860 Mpa  
(fpy) = 1676 Mpa



|      | Elevasi Existing | Elevasi Finish Grade | Station    |
|------|------------------|----------------------|------------|
| 1    | 24.7480          | 24.7480              | 0+000.0000 |
| A.1  | 24.7480          | 31.3718              | 0+137.3616 |
| P.1  | 24.7480          | 33.1540              | 0+196.7577 |
| P.2  | 24.7452          | 34.9515              | 0+256.9037 |
| P.3  | 24.6802          | 36.7406              | 0+317.0498 |
| P.4  | 25.3800          | 36.7406              | 0+377.2498 |
| P.5  | 18.8956          | 36.7406              | 0+437.4498 |
| P.6  | 24.2847          | 36.7406              | 0+497.6498 |
| P.7  | 26.0080          | 36.7406              | 0+557.8498 |
| P.8  | 25.8834          | 36.7406              | 0+618.0498 |
| P.9  | 25.8640          | 36.7406              | 0+678.2498 |
| P.10 | 25.5460          | 34.9440              | 0+738.3958 |
| P.11 | 26.4765          | 33.1458              | 0+798.5418 |
| A.2  | 26.1171          | 31.3718              | 0+857.9379 |
| 2    | 25.3280          | 25.3280              | 1+000.0000 |



TUGAS AKHIR

Nama

Hasbul Wafi  
13511188

Dosen Pembimbing

Ir. Suharyatmo, M.,T.

Gambar

Alinyemen Layout

Skala

1 : 500

Lampiran

1

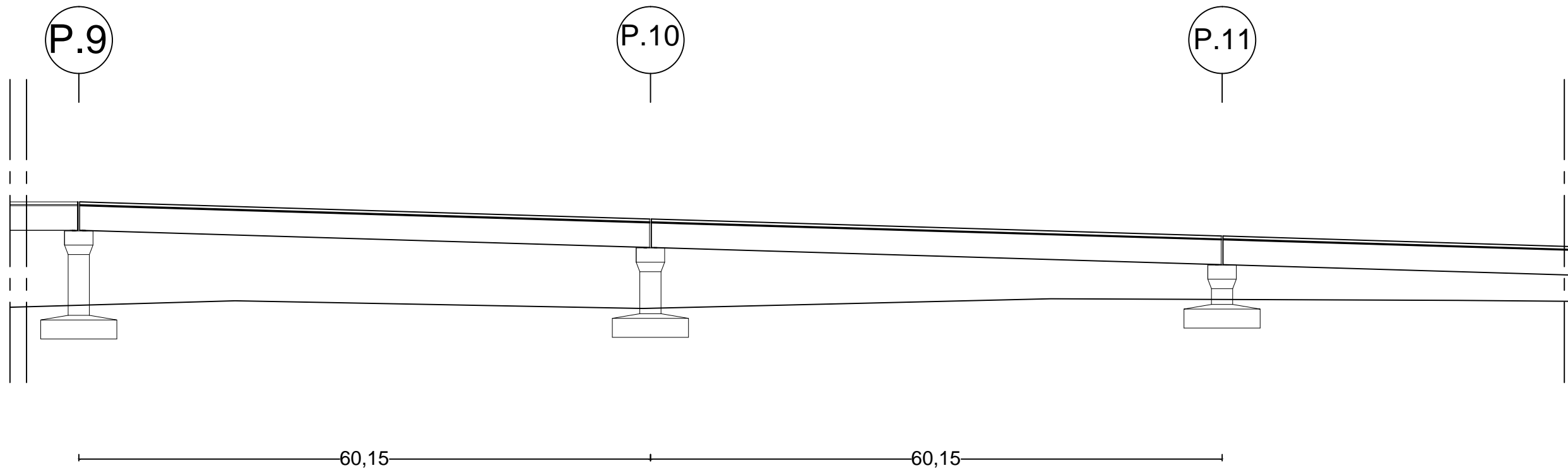
Data Mutu Beton

box girder (f'c) = 48,9 Mpa  
abutmen (f'c) = 29 Mpa  
pilar (f'c) = 29 Mpa

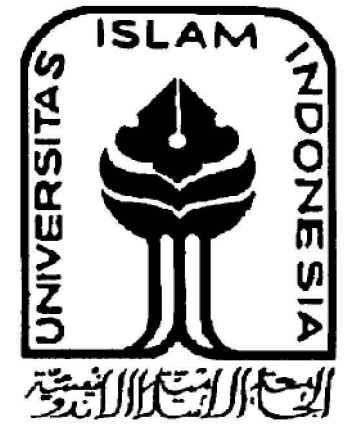
Data Mutu Baja

D > 12 mm (fy) = 240 Mpa  
D < 12 mm (fy) = 400 Mpa

Baja Prategang (fpu) = 1860 Mpa  
(fpy) = 1676 Mpa



|      | Elevasi Existing | Elevasi Finish Grade | Station    |
|------|------------------|----------------------|------------|
| 1    | 24.7480          | 24.7480              | 0+000.0000 |
| A.1  | 24.7480          | 31.3718              | 0+137.3616 |
| P.1  | 24.7480          | 33.1540              | 0+196.7577 |
| P.2  | 24.7452          | 34.9515              | 0+256.9037 |
| P.3  | 24.6802          | 36.7406              | 0+317.0498 |
| P.4  | 25.3800          | 36.7406              | 0+377.2498 |
| P.5  | 18.8956          | 36.7406              | 0+437.4498 |
| P.6  | 24.2847          | 36.7406              | 0+497.6498 |
| P.7  | 26.0080          | 36.7406              | 0+557.8498 |
| P.8  | 25.8834          | 36.7406              | 0+618.0498 |
| P.9  | 25.8640          | 36.7406              | 0+678.2498 |
| P.10 | 25.5460          | 34.9440              | 0+738.3958 |
| P.11 | 26.4765          | 33.1458              | 0+798.5418 |
| A.2  | 26.1171          | 31.3718              | 0+857.9379 |
| 2    | 25.3280          | 25.3280              | 1+000.0000 |



TUGAS AKHIR

Nama

Hasbul Wafi  
13511188

Dosen Pembimbing

Ir. Suharyatmo, M.,T.

Gambar

Alinyemen Layout

Skala

1 : 500

Lampiran

1

Data Mutu Beton

box girder (f'c) = 48,9 Mpa  
abutmen (f'c) = 29 Mpa  
pilar (f'c) = 29 Mpa

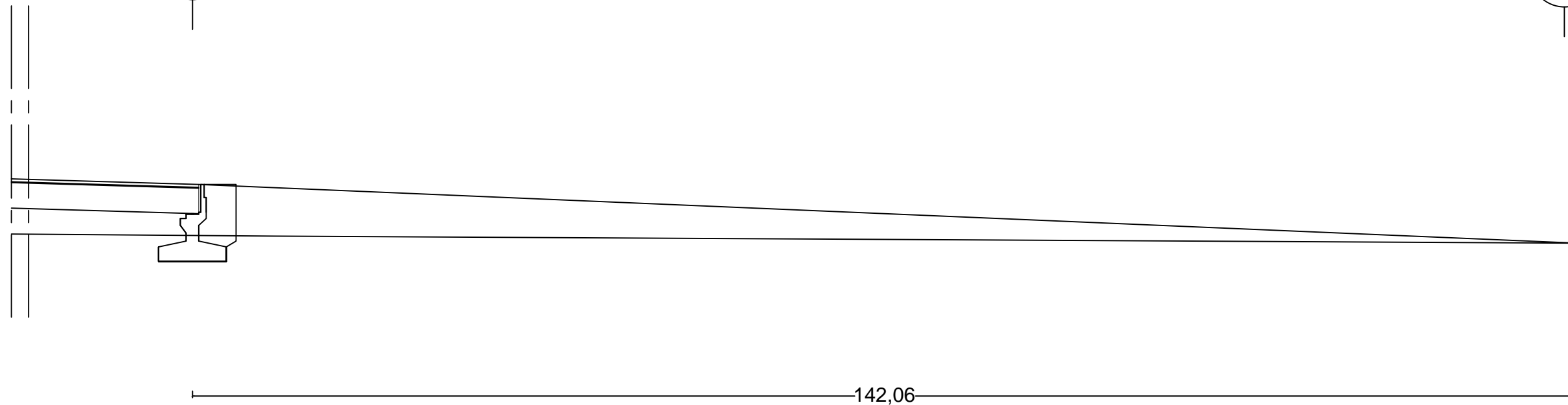
Data Mutu Baja

D > 12 mm (fy) = 240 Mpa  
D < 12 mm (fy) = 400 Mpa

Baja Prategang (fpu) = 1860 Mpa  
(fpy) = 1676 Mpa

A.2

2



142,06

|      | Elevasi Existing | Elevasi Finish Grade | Station    |
|------|------------------|----------------------|------------|
| 1    | 24.7480          | 24.7480              | 0+000.0000 |
| A.1  | 24.7480          | 31.3718              | 0+137.3616 |
| P.1  | 24.7480          | 33.1540              | 0+196.7577 |
| P.2  | 24.7452          | 34.9515              | 0+256.9037 |
| P.3  | 24.6802          | 36.7406              | 0+317.0498 |
| P.4  | 25.3800          | 36.7406              | 0+377.2498 |
| P.5  | 18.8956          | 36.7406              | 0+437.4498 |
| P.6  | 24.2847          | 36.7406              | 0+497.6498 |
| P.7  | 26.0080          | 36.7406              | 0+557.8498 |
| P.8  | 25.8834          | 36.7406              | 0+618.0498 |
| P.9  | 25.8640          | 36.7406              | 0+678.2498 |
| P.10 | 25.5460          | 34.9440              | 0+738.3958 |
| P.11 | 26.4765          | 33.1458              | 0+798.5418 |
| A.2  | 26.1171          | 31.3718              | 0+857.9379 |
| 2    | 25.3280          | 25.3280              | 1+000.0000 |