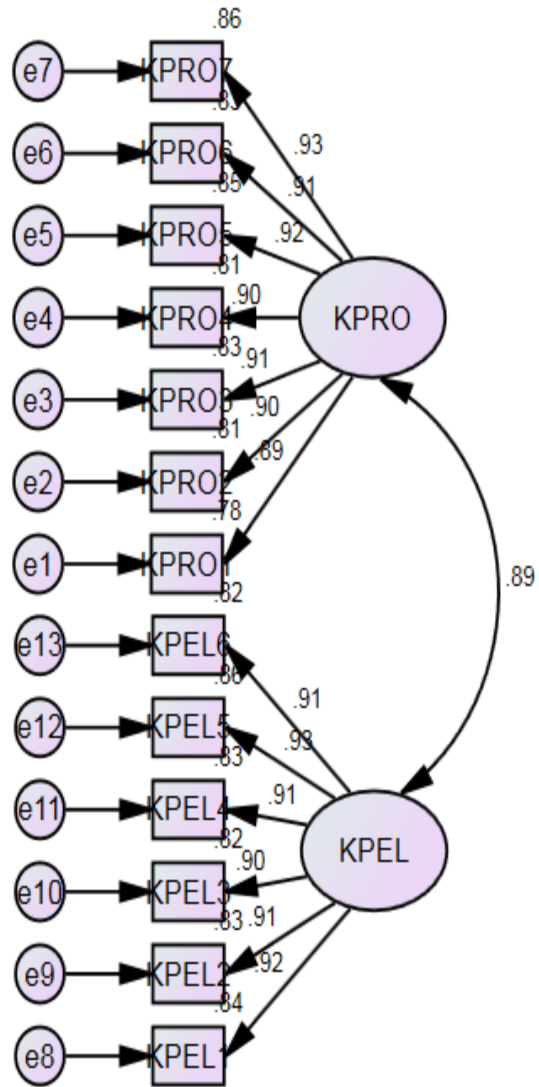


**Lampiran 6**

**UJI COFIRMATORY**

chi-Square=108.993  
Probabilitas=.000  
df=64  
CMIN/DF=1.703  
RMSEA=.069  
GFI=.909  
AGFI=.871  
CFI=.983  
TLI=.979



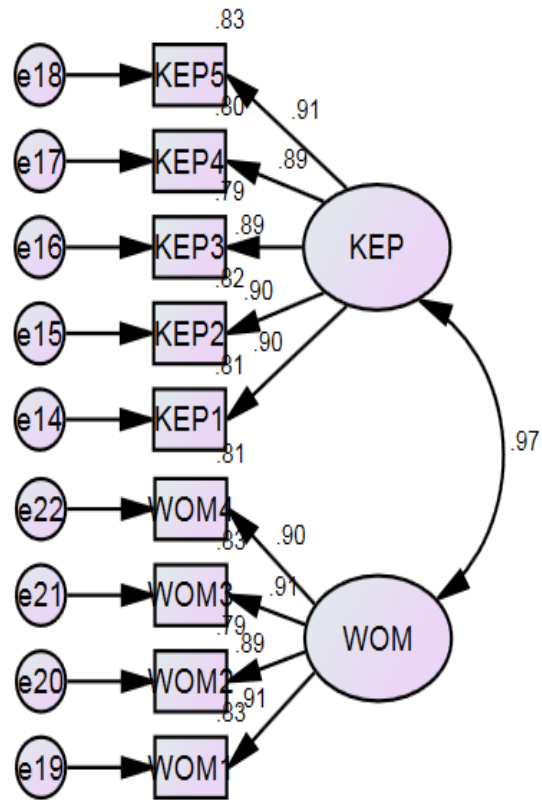
**Regression Weights: (Group number 1 - Default model)**

	Estimate	S.E.	C.R.	P	Label
KPRO1 <--- KPRO	1.000				
KPRO2 <--- KPRO	1.079	.065	16.656	***	par_1
KPRO3 <--- KPRO	1.125	.065	17.246	***	par_2
KPRO4 <--- KPRO	1.042	.062	16.897	***	par_3
KPRO5 <--- KPRO	1.090	.060	18.020	***	par_4
KPRO6 <--- KPRO	1.104	.064	17.336	***	par_5
KPRO7 <--- KPRO	1.100	.061	18.072	***	par_6
KPEL1 <--- KPEL	1.000				
KPEL2 <--- KPEL	1.027	.054	19.160	***	par_7
KPEL3 <--- KPEL	.988	.053	18.606	***	par_8
KPEL4 <--- KPEL	1.021	.054	19.009	***	par_9
KPEL5 <--- KPEL	1.078	.054	20.104	***	par_10
KPEL6 <--- KPEL	.967	.052	18.742	***	par_11

**Standardized Regression Weights: (Group number 1 - Default model)**

	Estimate
KPRO1 <--- KPRO	.885
KPRO2 <--- KPRO	.899
KPRO3 <--- KPRO	.911
KPRO4 <--- KPRO	.902
KPRO5 <--- KPRO	.925
KPRO6 <--- KPRO	.913
KPRO7 <--- KPRO	.927
KPEL1 <--- KPEL	.918
KPEL2 <--- KPEL	.912
KPEL3 <--- KPEL	.904
KPEL4 <--- KPEL	.908
KPEL5 <--- KPEL	.925
KPEL6 <--- KPEL	.905

chi-Square=40.906  
 Probabilitas=.032  
 df=26  
 CMIN/DF=1.573  
 RMSEA=.062  
 GFI=.945  
 AGFI=.906  
 CFI=.991  
 TLI=.987



**Regression Weights: (Group number 1 - Default model)**

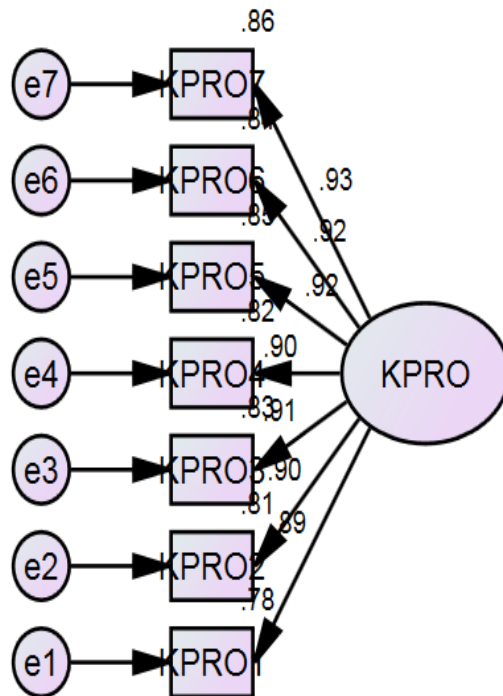
		Estimate	S.E.	C.R.	P	Label
KEP1	<--- KEP	1.000				
KEP2	<--- KEP	.999	.057	17.549	***	par_1
KEP3	<--- KEP	1.010	.060	16.731	***	par_2
KEP4	<--- KEP	.938	.055	17.071	***	par_3
KEP5	<--- KEP	1.057	.059	17.829	***	par_4
WOM1	<--- WOM	1.000				
WOM2	<--- WOM	.891	.051	17.432	***	par_5
WOM3	<--- WOM	.974	.053	18.465	***	par_6
WOM4	<--- WOM	.942	.053	17.933	***	par_7

**Standardized Regression Weights: (Group number 1 - Default model)**

	Estimate
KEP1 <--- KEP	.898
KEP2 <--- KEP	.904
KEP3 <--- KEP	.888
KEP4 <--- KEP	.894
KEP5 <--- KEP	.910
WOM1 <--- WOM	.912
WOM2 <--- WOM	.889
WOM3 <--- WOM	.909
WOM4 <--- WOM	.899

**KUALITAS PRODUK**

chi-Square=47.236  
 Probabilitas=.000  
 df=14  
 CMIN/DF=3.374  
 RMSEA=.126  
 GFI=.921  
 AGFI=.842  
 CFI=.975  
 TLI=.963



**Regression Weights: (Group number 1 - Default model)**

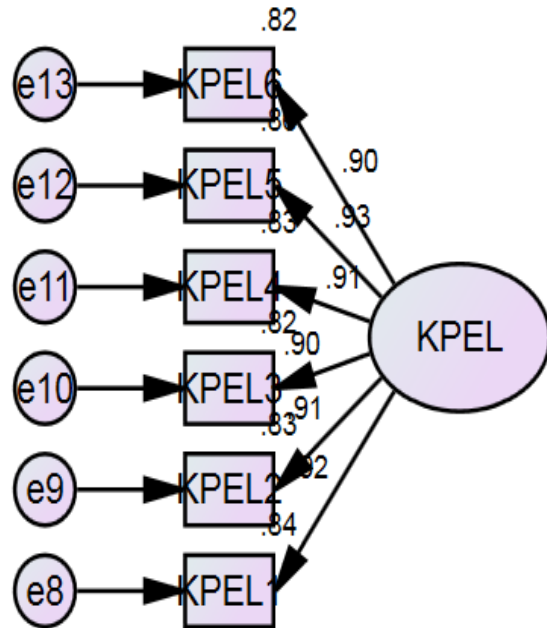
	Estimate	S.E.	C.R.	P	Label
KPRO1 <--- KPRO	1.000				
KPRO2 <--- KPRO	1.077	.065	16.568	***	par_1
KPRO3 <--- KPRO	1.123	.065	17.163	***	par_2
KPRO4 <--- KPRO	1.043	.062	16.915	***	par_3
KPRO5 <--- KPRO	1.086	.061	17.854	***	par_4
KPRO6 <--- KPRO	1.108	.063	17.462	***	par_5
KPRO7 <--- KPRO	1.100	.061	18.061	***	par_6

**Standardized Regression Weights: (Group number 1 - Default model)**

	Estimate
KPRO1 <--- KPRO	.885
KPRO2 <--- KPRO	.897
KPRO3 <--- KPRO	.910
KPRO4 <--- KPRO	.903
KPRO5 <--- KPRO	.922
KPRO6 <--- KPRO	.917
KPRO7 <--- KPRO	.927

KUALITAS PELAYANAN

chi-Square=11.446  
 Probabilitas=.246  
 df=9  
 CMIN/DF=1.272  
 RMSEA=.043  
 GFI=.977  
 AGFI=.946  
 CFI=.998  
 TLI=.996



Regression Weights: (Group number 1 - Default model)

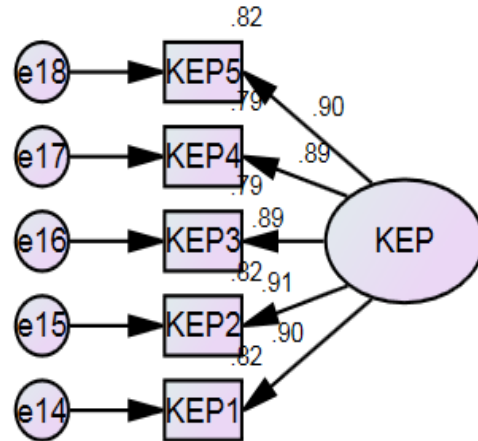
	Estimate	S.E.	C.R.	P	Label
KPEL1 <--- KPEL	1.000				
KPEL2 <--- KPEL	1.027	.054	18.988	***	par_1
KPEL3 <--- KPEL	.988	.053	18.470	***	par_2
KPEL4 <--- KPEL	1.022	.054	18.914	***	par_3
KPEL5 <--- KPEL	1.082	.054	20.161	***	par_4
KPEL6 <--- KPEL	.967	.052	18.572	***	par_5

Standardized Regression Weights: (Group number 1 - Default model)

	Estimate
KPEL1 <--- KPEL	.918
KPEL2 <--- KPEL	.911
KPEL3 <--- KPEL	.904
KPEL4 <--- KPEL	.909
KPEL5 <--- KPEL	.928
KPEL6 <--- KPEL	.904

KEPUASAN

chi-Square=10.721  
 Probabilitas=.057  
 df=5  
 CMIN/DF=2.144  
 RMSEA=.088  
 GFI=.973  
 AGFI=.918  
 CFI=.993  
 TLI=.985



Regression Weights: (Group number 1 - Default model)

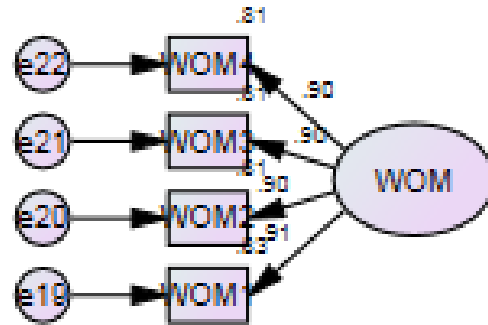
	Estimate	S.E.	C.R.	P	Label
KEP1 <--- KEP	1.000				
KEP2 <--- KEP	.998	.056	17.708	***	par_1
KEP3 <--- KEP	1.005	.060	16.683	***	par_2
KEP4 <--- KEP	.929	.055	16.986	***	par_3
KEP5 <--- KEP	1.043	.060	17.486	***	par_4

Standardized Regression Weights: (Group number 1 - Default model)

	Estimate
KEP1 <--- KEP	.904
KEP2 <--- KEP	.908
KEP3 <--- KEP	.888
KEP4 <--- KEP	.891
KEP5 <--- KEP	.904

WOM

chi-Square=.093  
 Probabilitas=.955  
 df=2  
 CMIN/DF=.046  
 RMSEA=.000  
 GFI=1.000  
 AGFI=.998  
 CFI=1.000  
 TLI=1.010



**Regression Weights: (Group number 1 - Default model)**

	Estimate	S.E.	C.R.	P	Label
WOM1 <--- WOM	1.000				
WOM2 <--- WOM	.901	.052	17.425	***	par_1
WOM3 <--- WOM	.966	.055	17.512	***	par_2
WOM4 <--- WOM	.943	.054	17.401	***	par_3

**Standardized Regression Weights: (Group number 1 - Default model)**

	Estimate
WOM1 <--- WOM	.912
WOM2 <--- WOM	.899
WOM3 <--- WOM	.902
WOM4 <--- WOM	.899