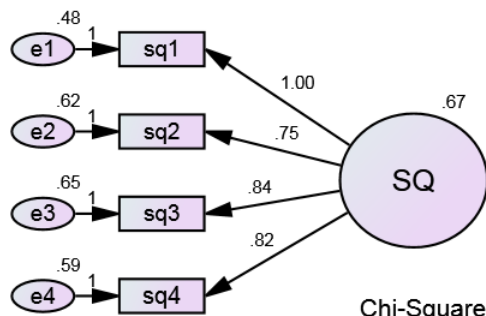


**HASIL PENGOLAHAN DATA DENGAN AMOS v22
CONFIRMATORY FACTOR ANALYSIS**



Chi-Square = .485
 Probability = .785
 CMIN/DF = .243
 GFI = .999
 TLI = 1.026
 CFI = 1.000
 RMSEA = .000

Notes for Model (Default model)

Computation of degrees of freedom (Default model)

Number of distinct sample moments: 10
 Number of distinct parameters to be estimated: 8
 Degrees of freedom (10 - 8): 2

Result (Default model)

Minimum was achieved

Chi-square = .485 < χ^2 -table (101,5%) = 125.458

Degrees of freedom = 2

Probability level = .785

Determinant of sample covariance matrix = .506 > 0.000

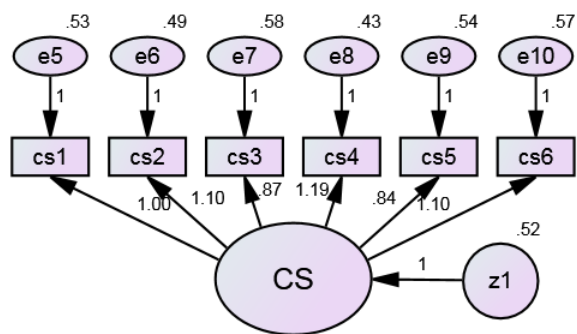
Regression Weights: (Group number 1 - Default model)

	Estimate	S.E.	C.R.	P	Label
sq1 <--- SQ	1.000				
sq2 <--- SQ	.745	.107	6.994	***	par_1
sq3 <--- SQ	.836	.113	7.375	***	par_2
sq4 <--- SQ	.816	.113	7.243	***	par_3

Standardized Regression Weights: (Group number 1 - Default model)

	Estimate
sq1 <--- SQ	.765
sq2 <--- SQ	.613
sq3 <--- SQ	.646
sq4 <--- SQ	.655

CONFIRMATORY FACTOR ANALYSIS



Chi-Square = 18.075
 Probability = .034
 CMIN/DF = 2.008
 GFI = .970
 TLI = .965
 CFI = .979
 RMSEA = .073

Notes for Model (Default model)

Computation of degrees of freedom (Default model)

Number of distinct sample moments: 21
 Number of distinct parameters to be estimated: 12
 Degrees of freedom (21 - 12): 9

Result (Default model)

Minimum was achieved

Chi-square = 18.075 < χ^2 -table (101,5%) = 125.458

Degrees of freedom = 9

Probability level = .034

Determinant of sample covariance matrix = .134 > 0.000

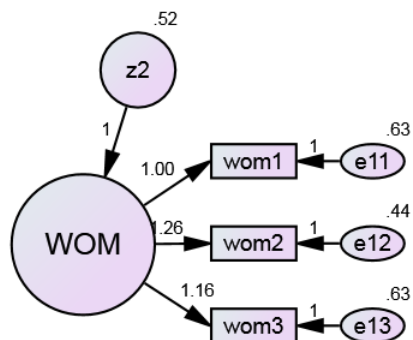
Regression Weights: (Group number 1 - Default model)

	Estimate	S.E.	C.R.	P	Label
cs4 <--- CS	1.186	.119	9.976	***	par_1
cs3 <--- CS	.870	.111	7.842	***	par_2
cs2 <--- CS	1.100	.122	8.989	***	par_3
cs1 <--- CS	1.000				
cs5 <--- CS	.842	.108	7.790	***	par_4
cs6 <--- CS	1.103	.124	8.913	***	par_5

Standardized Regression Weights: (Group number 1 - Default model)

	Estimate
cs4 <--- CS	.794
cs3 <--- CS	.635
cs2 <--- CS	.747
cs1 <--- CS	.703
cs5 <--- CS	.635
cs6 <--- CS	.726

CONFIRMATORY FACTOR ANALYSIS



Chi-Square = .000
 Probability = \p
 CMIN/DF = \cmindf
 GFI = 1.000
 TLI = \tli
 CFI = \cfi
 RMSEA = \rmsea

Notes for Model (Default model)

Computation of degrees of freedom (Default model)

Number of distinct sample moments: 6
 Number of distinct parameters to be estimated: 6
 Degrees of freedom (6 - 6): 0

Result (Default model)

Minimum was achieved
 Chi-square = .000 < χ^2 -table (101,5%) = 125.458
 Degrees of freedom = 0
 Probability level cannot be computed
 Determinant of sample covariance matrix = .842 > 0.000

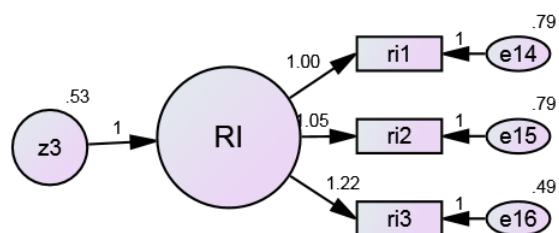
Regression Weights: (Group number 1 - Default model)

	Estimate	S.E.	C.R.	P	Label
wom2 <--- WOM	1.256	.164	7.640	***	par_1
wom1 <--- WOM	1.000				
wom3 <--- WOM	1.161	.150	7.722	***	par_2

Standardized Regression Weights: (Group number 1 - Default model)

	Estimate
wom2 <--- WOM	.807
wom1 <--- WOM	.675
wom3 <--- WOM	.727

CONFIRMATORY FACTOR ANALYSIS



Chi-Square = .000
 Probability = \p
 CMIN/DF = \cmindf
 GFI = 1.000
 TLI = \tli
 CFI = \cfi
 RMSEA = \rmsea

Notes for Model (Default model)

Computation of degrees of freedom (Default model)

Number of distinct sample moments: 6
 Number of distinct parameters to be estimated: 6
 Degrees of freedom (6 - 6): 0

Result (Default model)

Minimum was achieved
 Chi-square = .000 < χ^2 -table (101,5%) = 125.458
 Degrees of freedom = 0
 Probability level cannot be computed
 Determinant of sample covariance matrix = 1.213 > 0.000

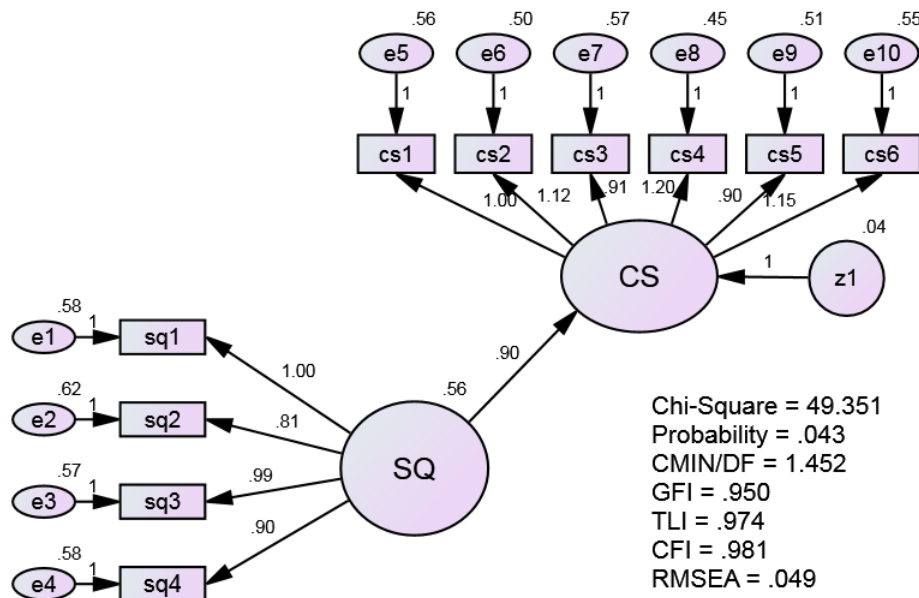
Regression Weights: (Group number 1 - Default model)

	Estimate	S.E.	C.R.	P	Label
ri2 <--- RI	1.046	.164	6.389	***	par_1
ri1 <--- RI	1.000				
ri3 <--- RI	1.218	.198	6.148	***	par_2

Standardized Regression Weights: (Group number 1 - Default model)

	Estimate
ri2 <--- RI	.649
ri1 <--- RI	.633
ri3 <--- RI	.784

CONFIRMATORY FACTOR ANALYSIS



Notes for Model (Default model)

Computation of degrees of freedom (Default model)

Number of distinct sample moments: 55
 Number of distinct parameters to be estimated: 21
 Degrees of freedom (55 - 21): 34

Result (Default model)

Minimum was achieved
 Chi-square = 49.351 < χ^2 -table (101,5%) = 125.458
 Degrees of freedom = 34
 Probability level = .043
 Determinant of sample covariance matrix = .023 > 0.000

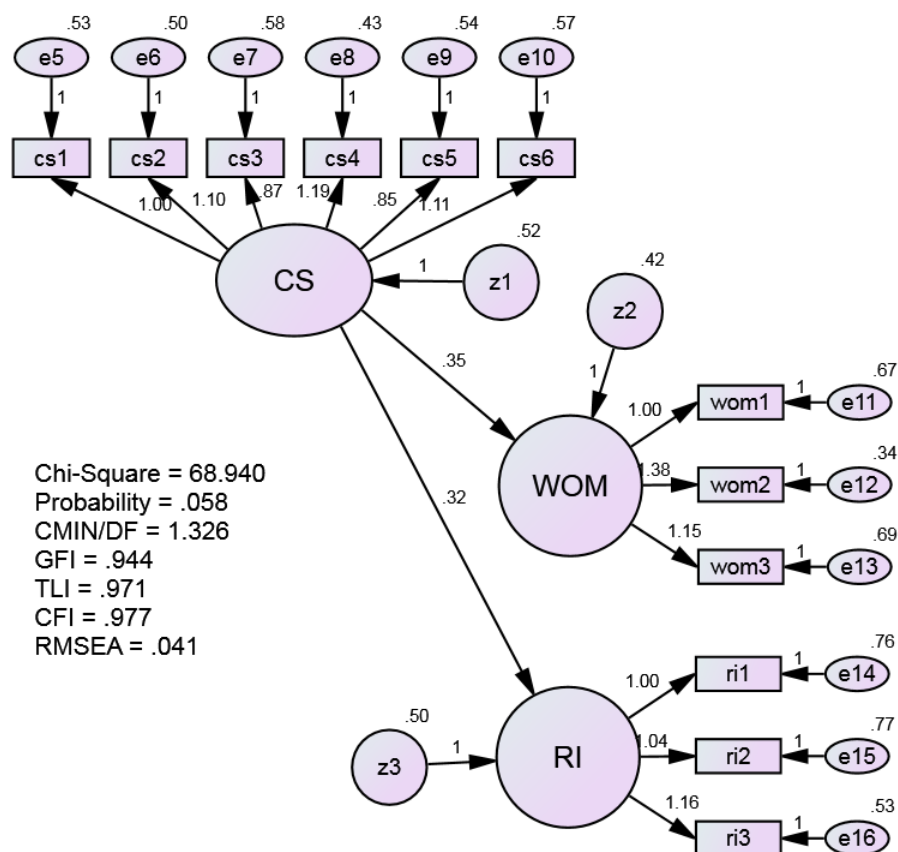
Regression Weights: (Group number 1 - Default model)

	Estimate	S.E.	C.R.	P	Label
CS <--- SQ	.896	.113	7.931	***	par_9
cs4 <--- CS	1.196	.122	9.811	***	par_1
cs3 <--- CS	.909	.113	8.069	***	par_2
cs2 <--- CS	1.121	.123	9.136	***	par_3
cs1 <--- CS	1.000				
sq1 <--- SQ	1.000				
sq2 <--- SQ	.810	.104	7.758	***	par_4
sq3 <--- SQ	.994	.114	8.742	***	par_5
sq4 <--- SQ	.902	.108	8.367	***	par_6
cs5 <--- CS	.902	.110	8.190	***	par_7
cs6 <--- CS	1.150	.126	9.146	***	par_8

Standardized Regression Weights: (Group number 1 - Default model)

	Estimate
CS <--- SQ	.959
cs4 <--- CS	.779
cs3 <--- CS	.645
cs2 <--- CS	.741
cs1 <--- CS	.684
sq1 <--- SQ	.700
sq2 <--- SQ	.610
sq3 <--- SQ	.704
sq4 <--- SQ	.663
cs5 <--- CS	.662
cs6 <--- CS	.736

CONFIRMATORY FACTOR ANALYSIS



Notes for Model (Default model)

Computation of degrees of freedom (Default model)

Number of distinct sample moments: 78
 Number of distinct parameters to be estimated: 26
 Degrees of freedom (78 - 26): 52

Result (Default model)

Minimum was achieved
 Chi-square = 68.940 < χ^2 -table (101,5%) = 125.458
 Degrees of freedom = 52
 Probability level = .058
 Determinant of sample covariance matrix = .090 > 0.000

Regression Weights: (Group number 1 - Default model)

	Estimate	S.E.	C.R.	P	Label
WOM <--- CS	.354	.089	3.968	***	par_10
RI <--- CS	.316	.101	3.127	.002	par_11
wom2 <--- WOM	1.383	.196	7.054	***	par_1
wom1 <--- WOM	1.000				
wom3 <--- WOM	1.154	.149	7.731	***	par_2
cs4 <--- CS	1.189	.119	9.998	***	par_3
cs3 <--- CS	.869	.111	7.848	***	par_4
cs2 <--- CS	1.100	.122	9.026	***	par_5
cs1 <--- CS	1.000				
cs5 <--- CS	.848	.108	7.850	***	par_6
cs6 <--- CS	1.105	.124	8.947	***	par_7
ri2 <--- RI	1.043	.163	6.390	***	par_8
ri1 <--- RI	1.000				
ri3 <--- RI	1.156	.177	6.548	***	par_9

Standardized Regression Weights: (Group number 1 - Default model)

	Estimate
WOM <--- CS	.366
RI <--- CS	.306
wom2 <--- WOM	.854
wom1 <--- WOM	.649
wom3 <--- WOM	.695
cs4 <--- CS	.794
cs3 <--- CS	.633
cs2 <--- CS	.747
cs1 <--- CS	.702
cs5 <--- CS	.639
cs6 <--- CS	.726
ri2 <--- RI	.661
ri1 <--- RI	.646
ri3 <--- RI	.760