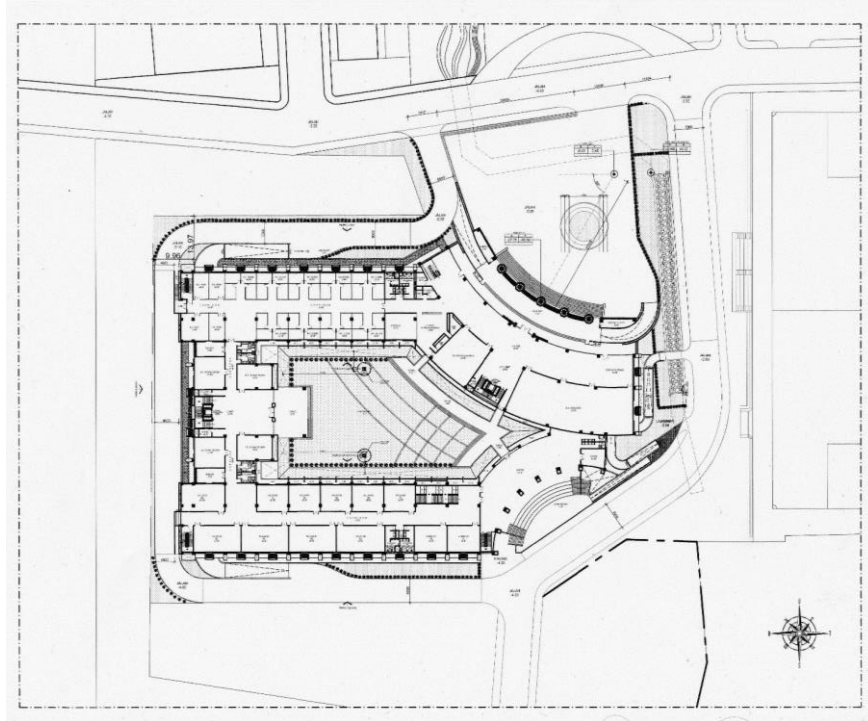
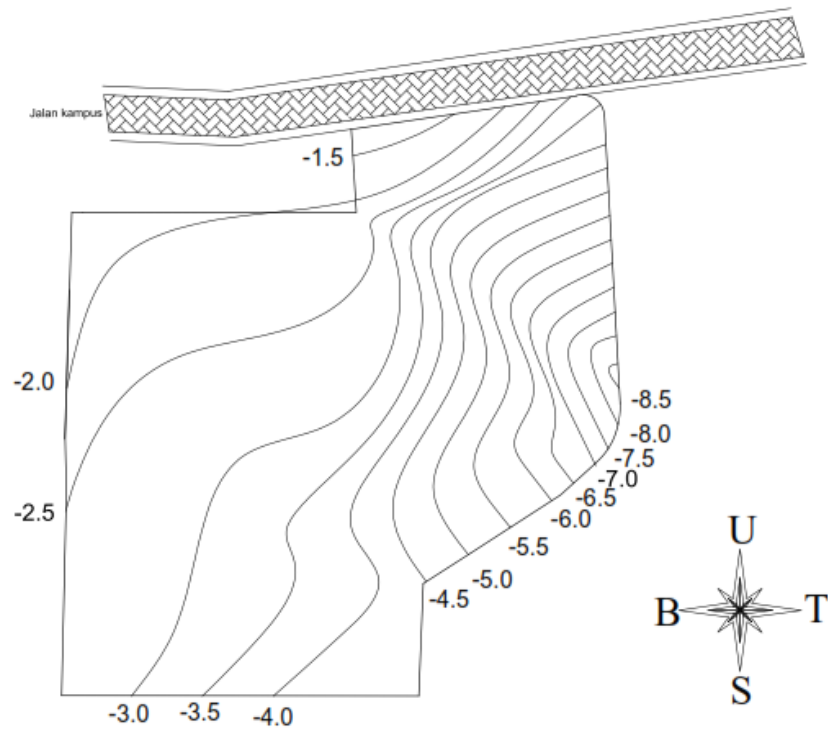
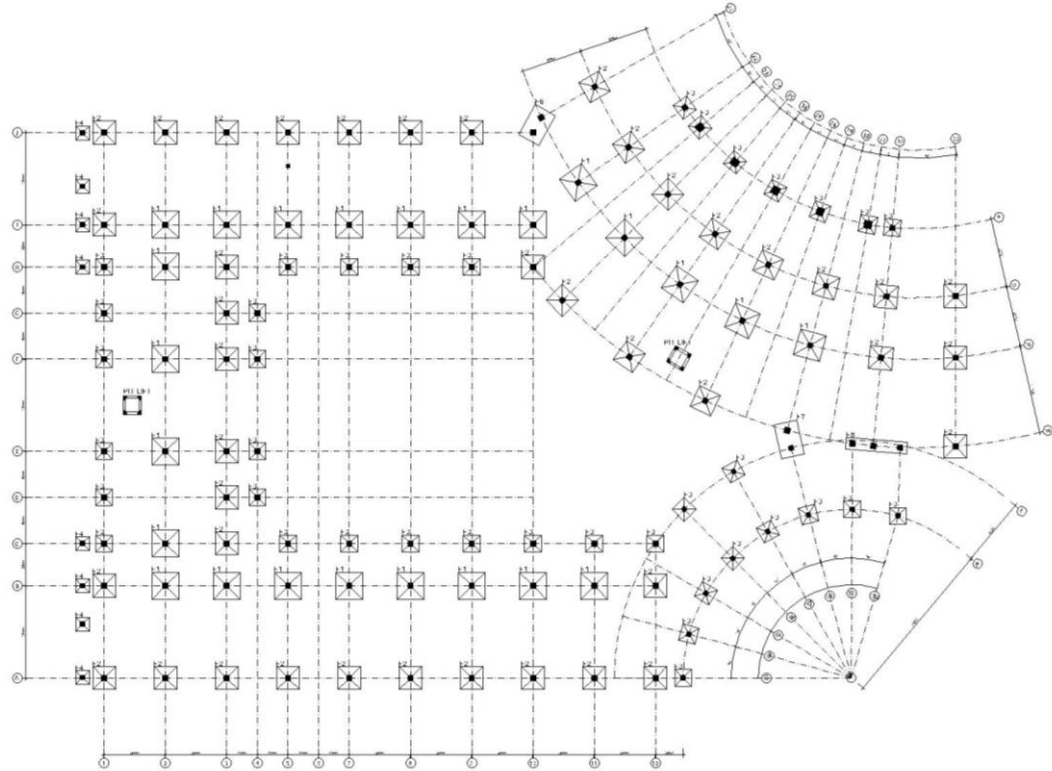


# LAMPIRAN

**Lampiran 1. Siteplan Proyek Pembangunan Gedung FH UII****Lampiran 2. Peta Kontur Tanah Asli Proyek Pembangunan Gedung FH UII**

**Lampiran 3. Denah Pondasi Proyek Pembangunan Gedung FH UII**



### Lampiran 4 Data Alat Berat yang Digunakan (*Existing*)


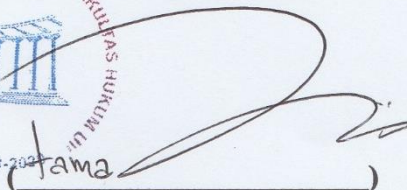
Tanggal	Excavator		Wheel Loader		Dump Truk	
	Jumlah	Total jam kerja	Jumlah	Total jam kerja	Jumlah	Total jam kerja
19/3/2018	1	7	1	7	3	19
20/3/2018	1	7	1	7	2	20,5
21/3/2018	-	-	1	3	2	6
23/3/2018	1	7	1	6,5	4	27
24/3/2018	1	7	1	7	2	14
26/3/2018	1	7	1	7	2	14
27/3/2018	1	7	1	7	-	14
28/3/2018	1	7	1	7	3	20
29/3/2018	1	7	1	7	2	21
30/3/2018	2	14	1	6,5	4	34,5
31/3/2018	2	14	1	7	4	35
2/4/2018	2	14	1	7	5	33
3/4/2018	2	14	1	7	5	30,5
4/4/2018	2	14	1	7	10	70
5/4/2018	2	14	1	7	11	77
6/4/2018	2	14	1	7	12	84
7/4/2018	2	14	1	7	7	49
9/4/2018	2	11	1	7	12	84
10/4/2018	2	14	1	7	12	82
11/4/2018	4	19	1	7	18	122
12/4/2018	4	28	1	7	29	200
13/4/2018	4	28	1	7	31	216,5
14/4/2018	4	28	1	7	34	238
16/4/2018	3	18	2	14	27	189
17/4/2018	3	21	2	14	26	182
18/4/2018	3	21	2	14	22	154
19/4/2018	3	21	2	14	20	140
20/4/2018	3	21	2	14	24	168
21/4/2018	3	21	2	14	28	195
23/4/2018	3	21	1	7	14	98
24/4/2018	3	21	1	7	14	98
25/4/2018	3	21	1	7	14	98
26/4/2018	3	21	1	7	15	105
27/4/2018	3	20,5	1	7	13	91
28/4/2018	3	23	1	7	14	97
30/4/2018	3	21	1	7	15	105
2/5/2018	3	21	1	7	15	105
3/5/2018	3	23	1	7	14	98



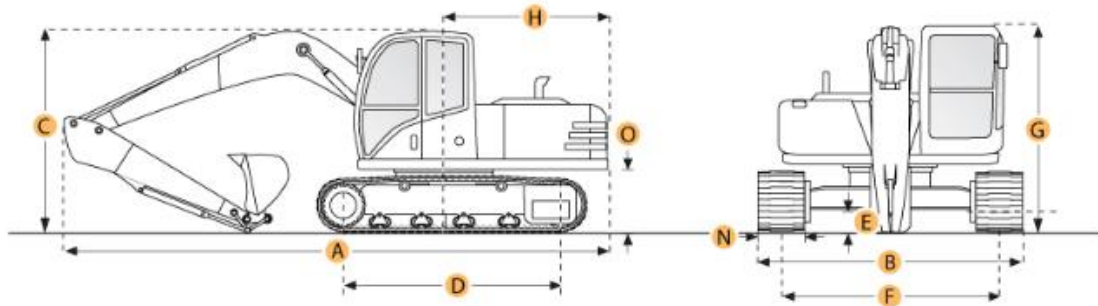
**Lampiran 5 Data Alat Berat yang Digunakan (*Existing*)**

Tanggal	Excavator		Wheel Loader		Dump Truk	
	Jumlah	Total jam kerja	Jumlah	Total jam kerja	Jumlah	Total jam kerja
4/5/2018	3	21	1	7	5	32
5/5/2018	3	14	1	7	3	21
6/5/2018	1	7	-	-	-	-
7/5/2018	3	21	-	-	-	-
8/5/2018	2	14	-	-	12	84
9/5/2018	3	21	-	-	15	105
10/5/2018	3	21	-	-	10	70
11/5/2018	3	21	-	-	10	65
12/5/2018	1	7	-	-	-	-
14/5/2018	-	-	-	-	-	-
15/5/2018	1	9	-	-	1	7
16/5/2018	1	9	-	-	1	7
17/5/2018	1	6,5	-	-	-	-
18/5/2018	1	9	-	-	-	-
19/5/2018	1	7	-	-	3	21
21/5/2018	2	15	-	-	5	35
22/5/2018	1	7	-	-	5	20
23/5/2018	1	9	-	-	-	-
24/5/2018	1	9	-	-	-	-
25/5/2018	1	7	-	-	-	-
26/5/2018	2	14	-	-	-	-
28/5/2018	1	7	-	-	3	21
<b>Total</b>	100	699	29	203	484	1642,5

Swakelola Proyek Pembangunan Gedung FH UII


  
 2018-2024
   


## Lampiran 6 Spesifikasi Excavator Kobelco SK200-8



### Selected Dimensions

#### Boom/Stick Option (HEX) 1

A. SHIPPING LENGTH OF UNIT	31 ft in	9450 mm
C. SHIPPING HEIGHT OF UNIT	9.9 ft in	3030 mm
J. MAX LOADING HEIGHT	22.7 ft in	6910 mm
K. MAX REACH ALONG GROUND	31.9 ft in	9730 mm
L. MAX VERTICAL WALL DIGGING DEPTH	20 ft in	6100 mm
M. MAX DIGGING DEPTH	22 ft in	6700 mm

#### Dimensions

B. WIDTH TO OUTSIDE OF TRACKS	9.2 ft in	2800 mm
D. LENGTH OF TRACK ON GROUND	11.1 ft in	3370 mm
E. GROUND CLEARANCE	1.5 ft in	450 mm
H. TAIL SWING RADIUS	9 ft in	2750 mm

#### Undercarriage

N. SHOE SIZE	23.6 in	600 mm
--------------	---------	--------

### Specification

#### Engine

NUMBER OF CYLINDERS	4	
MAKE	2511	
MODEL	J05E	
GROSS POWER	152.9 hp	114 kw
POWER MEASURED @	2000 rpm	
DISPLACEMENT	311.2 cu in	5.1 L

#### Operational

OPERATING WEIGHT	44533.4 lb	20200 kg
HYDRAULIC SYSTEM RELIEF VALVE PRESSURE	4974.8 psi	34300 kPa
HYDRAULIC PUMP FLOW CAPACITY	116.2 gal/min	440 L/min

#### Undercarriage

SHOE SIZE	23.6 in	600 mm
MAX TRAVEL SPEED	3.7 mph	6 km/h

#### Buckets

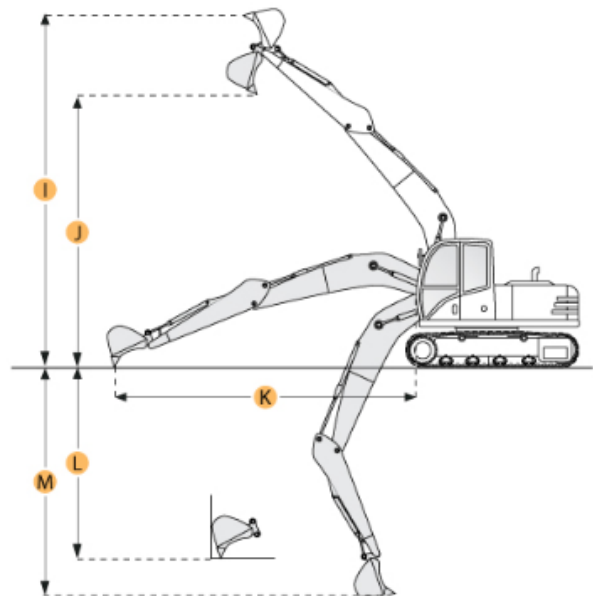
REFERENCE BUCKET CAPACITY	1.2 yd <sup>3</sup>	0.9 m <sup>3</sup>
---------------------------	---------------------	--------------------

#### Boom/Stick Option (HEX) 1

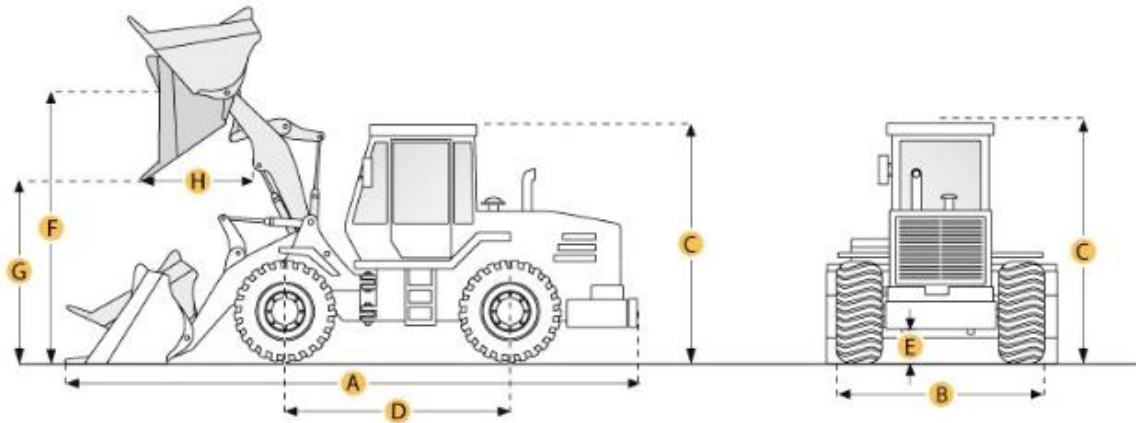
SHIPPING HEIGHT OF UNIT	9.9 ft in	3030 mm
SHIPPING LENGTH OF UNIT	31 ft in	9450 mm
MAX DIGGING DEPTH	22 ft in	6700 mm
MAX REACH ALONG GROUND	31.9 ft in	9730 mm
MAX LOADING HEIGHT	22.7 ft in	6910 mm
MAX VERTICAL WALL DIGGING DEPTH	20 ft in	6100 mm

#### Dimensions

WIDTH TO OUTSIDE OF TRACKS	9.2 ft in	2800 mm
GROUND CLEARANCE	1.5 ft in	450 mm
TAIL SWING RADIUS	9 ft in	2750 mm
LENGTH OF TRACK ON GROUND	11.1 ft in	3370 mm



## Lampiran 7 Spesifikasi Wheel Loader Komatsu WA380-3



### Selected Dimensions

#### Bucket

G. DUMP CLEARANCE AT MAX RAISE	9.6 ft in	2925 mm
--------------------------------	-----------	---------

#### Dimensions

A. LENGTH WITH BUCKET ON GROUND	26.1 ft in	7965 mm
B. WIDTH OVER TIRES	8.8 ft in	2695 mm
C. HEIGHT TO TOP OF CAB	10.9 ft in	3315 mm
D. WHEELBASE	10.5 ft in	3200 mm
E. GROUND CLEARANCE	1.3 ft in	390 mm
F. HINGE PIN - MAX HEIGHT	13.2 ft in	4030 mm
H. REACH AT MAX LIFT AND DUMP	3.8 ft in	1170 mm

### Specification

#### Engine

MAKE	2238	
MODEL	56D108	
GROSS POWER		
DISPLACEMENT	436.3 cu in	7.2 L

#### Operational

OPERATING WEIGHT	35902.3 lb	16285 kg
FUEL CAPACITY	75.8 gal	287 L
STATIC TIPPING WEIGHT	27513.7 lb	12480 kg
TURNING RADIUS	21.1 ft in	6430 mm
TIRE SIZE	20.5-25-16PR	

#### Transmission

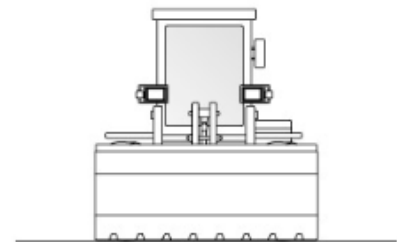
NUMBER OF FORWARD GEARS	4	
NUMBER OF REVERSE GEARS	4	
MAX SPEED - FORWARD	19.6 mph	31.5 km/h
MAX SPEED - REVERSE	20.2 mph	32.5 km/h

#### Bucket

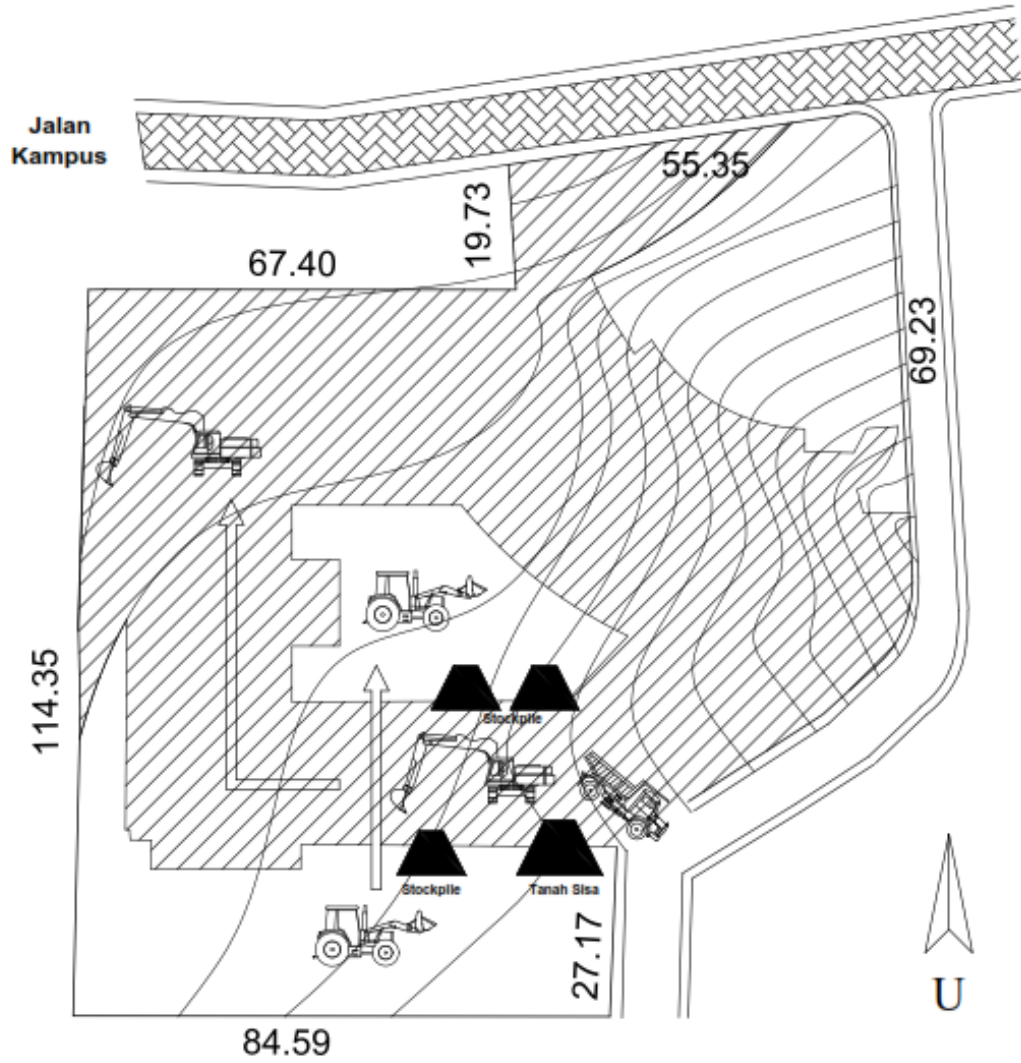
BREAKOUT FORCE	33300 lb	148.1 kN
DUMP CLEARANCE AT MAX RAISE	9.6 ft in	2925 mm
BUCKET WIDTH	9.5 ft in	2905 mm
BUCKET CAPACITY - HEAPED	4.2 yd <sup>3</sup>	3.2 m <sup>3</sup>
BUCKET CAPACITY - STRUCK	3.5 yd <sup>3</sup>	2.7 m <sup>3</sup>

#### Dimensions

LENGTH WITH BUCKET ON GROUND	26.1 ft in	7965 mm
WIDTH OVER TIRES	8.8 ft in	2695 mm
HEIGHT TO TOP OF CAB	10.9 ft in	3315 mm
GROUND CLEARANCE	1.3 ft in	390 mm
WHEELBASE	10.5 ft in	3200 mm
HINGE PIN - MAX HEIGHT	13.2 ft in	4030 mm
REACH AT MAX LIFT AND DUMP	3.8 ft in	1170 mm



### Lampiran 8 Skema 1 Alat Berat Alternatif 1

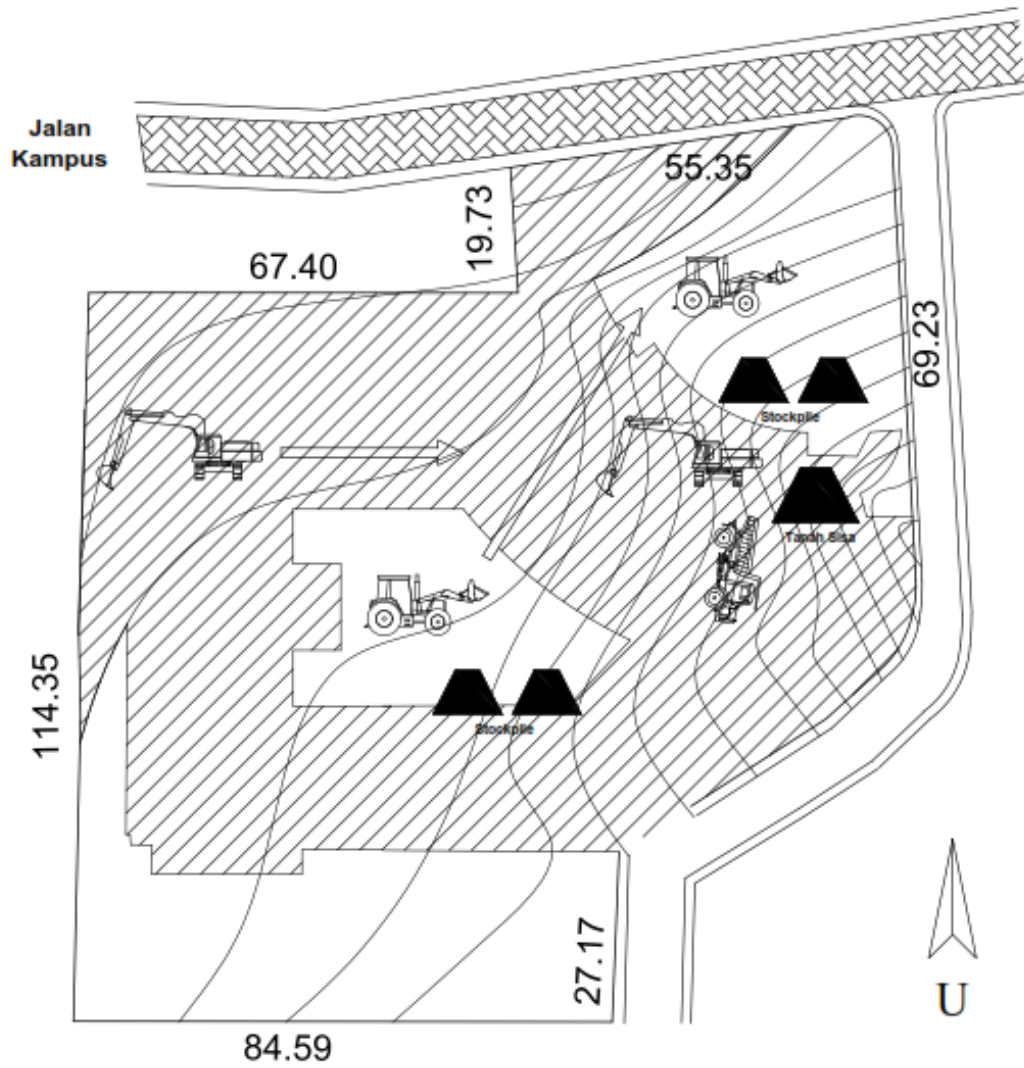


Keterangan :





### Lampiran 9 Skema 2 Alat Berat Alternatif 1



Keterangan :

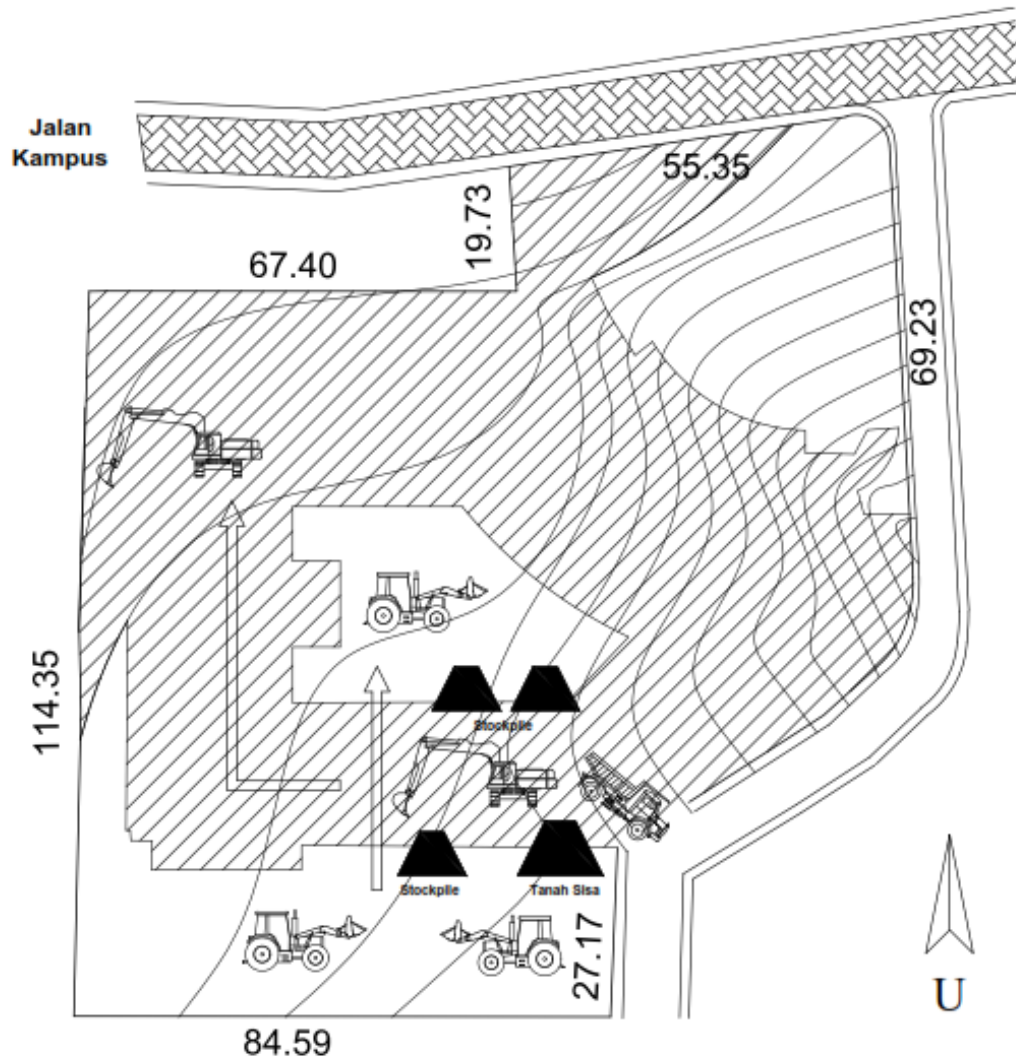


Daerah Galian



Daerah Timbunan

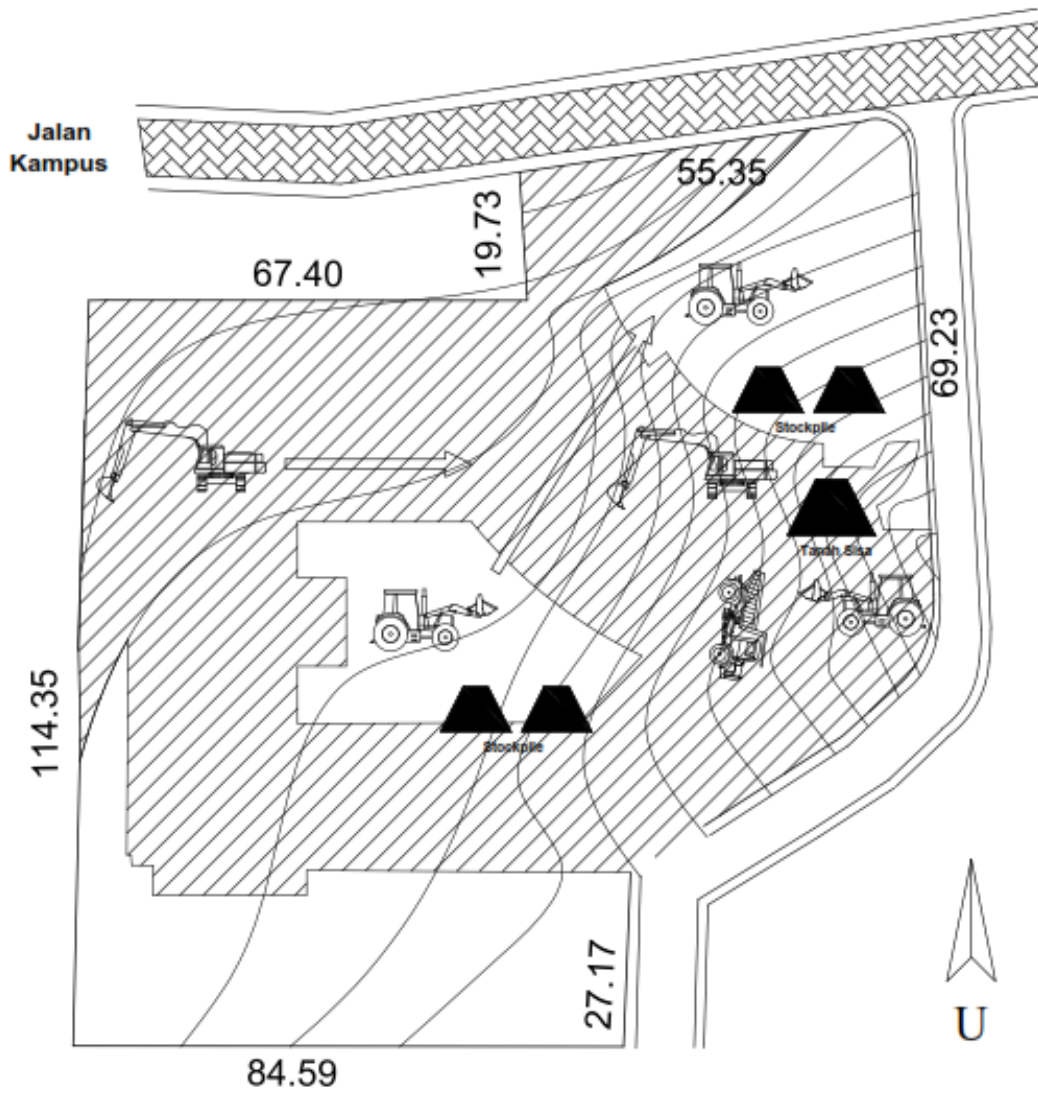
### Lampiran 10 Skema 1 Alat Berat Alternatif 2



Keterangan :

 Daerah Galian    
  Daerah Timbunan

Lampiran 11 Skema 2 Alat Berat Alternatif 2



Keterangan :

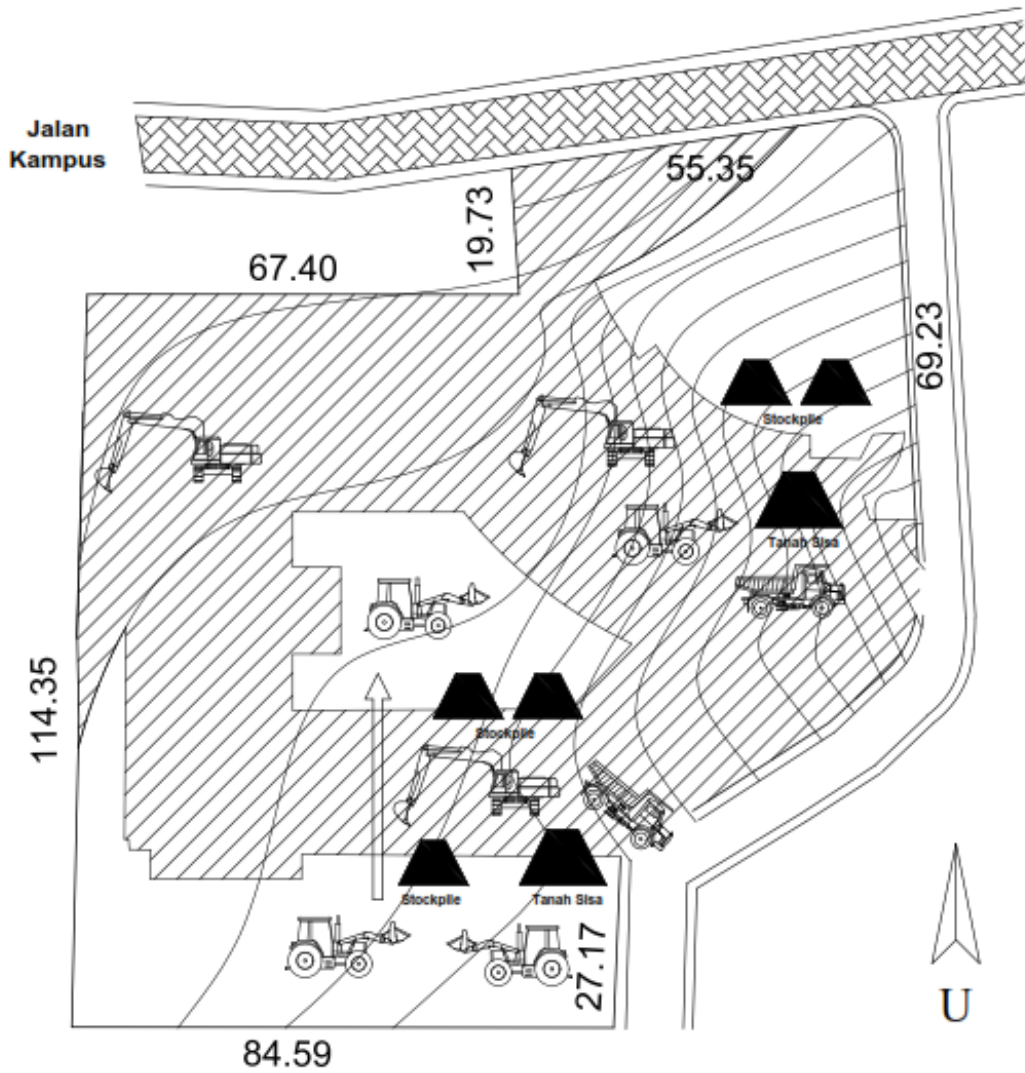


Daerah Galian



Daerah Timbunan

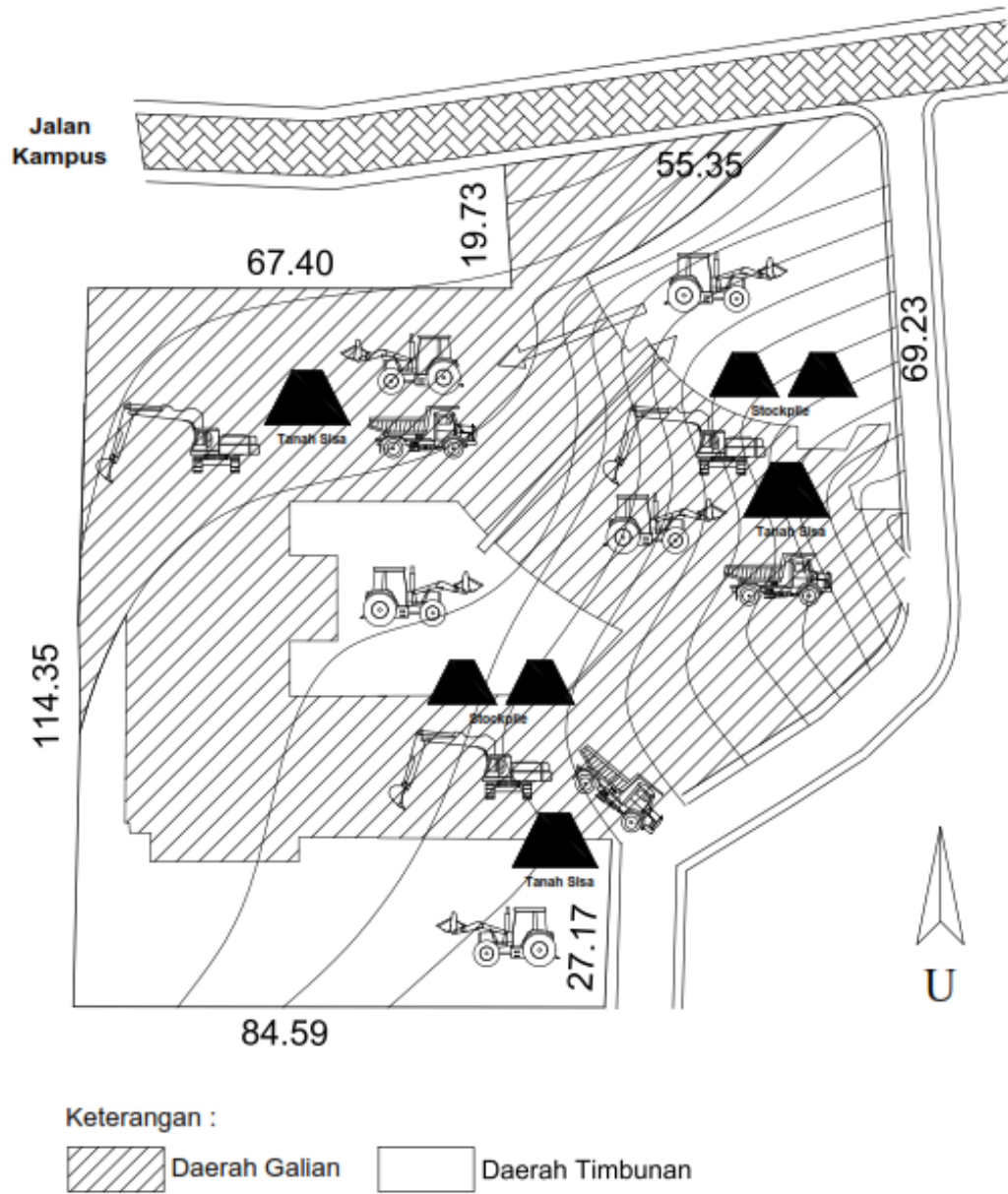
### Lampiran 12 Skema 1 Alat Berat Alternatif 3



Keterangan :

 Daerah Galian    
  Daerah Timbunan

Lampiran 13 Skema 2 Alat Berat Alternatif 3



## Lampiran 14 Daftar Harga Sewa Alat Berat



**CV. CAHAYA INDRA LAKSANA**  
 Jl. Jambon III / 14 Jatimulyo Jogjakarta  
 Telp. (0274) 4530324, Fax. (0274) 4530324

### DAFTAR HARGA ALAT 2018

NO	JENIS BARANG / PERALATAN		KAPASITAS	TAHUN PEMBUATAN	KONDISI	Harga/jam	All in
	Nama Barang	Merk					
1	2	3	4	5	6	7	8
<b>Bull Dozer</b>							
1	BD 2 G	KOMATSU	6 ton	2003	Baik	100,000.00	250,000.00
2	BD 2 H	KOMATSU	6 ton	2003	Baik	100,000.00	250,000.00
3	BD 2 J	KOMATSU	6 ton	2003	Baik	100,000.00	250,000.00
4	D 31 P - 20	KOMATSU	8 ton	2003	Baik	125,000.00	275,000.00
5	D 31 P - 21	KOMATSU	8 ton	2003	Baik	125,000.00	275,000.00
6	D 31 P - 18	KOMATSU	8 ton	2003	Baik	125,000.00	275,000.00
7	D 40 P	KOMATSU	10 ton	1996	Baik	150,000.00	300,000.00
8	D 50 P	KOMATSU	15 ton	1996	Baik	175,000.00	350,000.00
9	D 53 P	KOMATSU	15 ton	2000	Baik	175,000.00	350,000.00
10	D 5 G	CATERPILLAR	15 ton	2007	Baik	200,000.00	400,000.00
11	D 61	KOMATSU	16 ton	2012	Baik	250,000.00	450,000.00
12	D 65 PX	KOMATSU	18 ton	2008	Baik	250,000.00	450,000.00
13	BDZ SD 13	SHANTUI	14 ton	2010	Baik	250,000.00	450,000.00
14	BDZ SD 16	SHANTUI	17 ton	2010	Baik	250,000.00	450,000.00
<b>Wheel Loader</b>							
1	Wheel Loader 966	CATERPILLAR	5 m <sup>3</sup>	2012	Baik	250,000.00	450,000.00
2	Wheel Loader WA 380 - 3 Vibro	<del>CATERPILLAR</del> KOMATSU	3 m <sup>3</sup>	2012	Baik	200,000.00	450,000.00
<b>Vibro Compactor</b>							
1	Vibro Compactor	BOMAG	7 ton	1995	Baik	150,000.00	300,000.00
2	Vibro Compactor	SAKAI	6 ton	1995	Baik	150,000.00	300,000.00
3	Vibro Compactor	SW 350	3.5 ton	1995	Baik	125,000.00	250,000.00
4	Vibro Compactor	BOMAG	10-12 ton	2009	Baik	150,000.00	300,000.00
5	Vibro Compactor	VOLVO	10-12 ton	2009	Baik	150,000.00	300,000.00
6	Vibro Compactor	HAMM	10-12 ton	2010	Baik	150,000.00	300,000.00
7	Vibro Compactor	DYNAPAC	15 ton	2013	Baik	150,000.00	300,000.00
<b>Excavator</b>							
1	Excavator PC 50	KOMATSU	5 ton	2011	Baik	100,000.00	250,000.00
2	Excavator PC 75	KOMATSU	7.5 ton	2011	Baik	125,000.00	250,000.00
3	Excavator PC 100	KOMATSU	10 ton	1998	Baik	125,000.00	250,000.00
4	Excavator PC 200	KOMATSU	20 ton	1997	Baik	175,000.00	400,000.00
5	Excavator PC 200 - 6	KOMATSU	20 ton	2009	Baik	175,000.00	400,000.00
6	Excavator PC 200 - 7	KOMATSU	20 ton	2009	Baik	175,000.00	400,000.00
7	Excavator PC 200 - 8	KOMATSU	20 ton	2012	Baik	175,000.00	400,000.00
8	Excavator SE 210 - 1	SAMSUNG	20 ton	1995	Baik	175,000.00	400,000.00
9	Excavator PC 210	KOMATSU	21 ton	2009	Baik	175,000.00	400,000.00
10	Excavator SK 200 - 5	KOBELCO	20 ton	1998	Baik	175,000.00	400,000.00
11	Excavator SK 200 - 6	KOBELCO	20 ton	2005	Baik	175,000.00	400,000.00
12	Excavator SK 200 - 8	KOBELCO ACERA GEOSPEC	20 ton	2007	Baik	175,000.00	400,000.00
13	Excavator SK 200 - 8	KOBELCO Super X	20 ton	2012	Baik	175,000.00	400,000.00
14	Excavator SK 200 - 8	KOBELCO Super X	21 ton	2013	Baik	175,000.00	400,000.00
15	Excavator 320 D	CATERPILLAR	21 ton	2008	Baik	175,000.00	400,000.00
16	Excavator 320 D	CATERPILLAR	22 ton	2012	Baik	175,000.00	400,000.00
17	Excavator 320 B	CATERPILLAR	22 ton	2005	Baik	165,000.00	400,000.00
18	Excavator Saxiz EX 200	HITACHI	20 ton	2008	Baik	175,000.00	400,000.00
19	Excavator EC 210 B	VOLVO	21 ton	2009	Baik	175,000.00	400,000.00
20	Excavator DX 225 LCA	DOOSAN	22.5 ton	2010	Baik	175,000.00	400,000.00
21	Excavator 921 C	KEIHATSU	20 ton	2011	Baik	175,000.00	400,000.00
22	Excavator 210 R - 7H	HYUNDAI	20 ton	2011	Baik	175,000.00	400,000.00
<b>Breaker</b>							
1	Breaker	Soosan SB 18		2012	Baik	400,000.00	500,000.00

CV. CAHAYA INDRA LAKSANA

**Saptono Rahardjo**

## Lampiran 15 Daftar Harga Sewa Alat Berat

### DAFTAR ALAT

NO	JENIS BARANG / PERALATAN		KAPASITAS	TAHUN PEMBUATAN	KONDISI	Harga/ Hari belum Solar & UM	JUMLAH
	Nama Barang	Merk					
1	2	3	4	5	6	7	8
	Dump Truck / Tronton						
1	DT / hari	Toyota Dyna Rino	7 m <sup>3</sup>	2008/2009	Baik	450,000.00	40
2	DT / hari	Toyota Dyna Rino	7 m <sup>3</sup>	2012	Baik	450,000.00	6
3	DT / hari	Toyota Dyna Rino	7 m <sup>3</sup>	2013	Baik	450,000.00	5
4	DT / hari	Toyota Dyna Rino	7 m <sup>3</sup>	2014	Baik	450,000.00	10
5	DT / hari	Mitsubishi	7 m <sup>3</sup>	2009	Baik	450,000.00	1
6	DT / hari	Mitsubishi	7 m <sup>3</sup>	2011	Baik	450,000.00	1
7	DT Tronton	Nissan	20 m <sup>3</sup>	2008	Baik		2
8	Tangki Air	Colt Diesel	5.000 ltr	1997	Baik		3
9	Self Loader	NISAN	25 ton	1997	Baik		2
10	Self Loader	Mitsubishi	25 ton	2001	Baik		4
11	Tronton	Mitsubishi	20 ton	1998	Baik		18
12	Tronton	Hino	20 m <sup>3</sup>	2013	Baik		1

CV. CAHAYA INDRA LAKSANA

Saptono Rahardjo

**Lampiran 16 Waktu Perjalanan Truk dari Lokasi Proyek ke *Querry***

No.	No. Truk	Waktu		Lama Perjalanan
		Lokasi Proyek	<i>Querry</i>	
1	4	13.20	13.32	11
2	6	14.01	14.11	10
3	5	14.11	14.21	10
4	3	14.15	14.25	10
5	9	14.19	14.31	12
6	4	14.32	14.42	10
7	6	14.33	14.44	11
8	8	14.35	14.45	10
9	2	14.36	14.46	10
10	5	14.42	14.53	11
<b>Rata-Rata</b>				10,5

**Lampiran 17 Waktu Perjalanan Truk dari *Querry***

No.	No. Truk	Waktu		Lama Perjalanan
		<i>Querry</i>	Lokasi Proyek	
1	9	14.04	14.11	7
2	1	14.06	14.13	7
3	4	14.13	14.21	8
4	6	14.17	14.23	6
5	8	14.18	14.23	5
6	2	14.20	14.26	6
7	5	14.29	14.36	7
8	3	14.33	14.40	7
9	9	14.36	14.43	7
10	6	14.50	14.58	8
<b>Rata-Rata</b>				6,8



**Lampiran 18 Dokumentasi**

