

**Lampiran 1 Formulir Penelitian**

**FORMULIR SURVEI**

**SATUAN RUANG PARKIR (SRP) PARKIR MOBIL BANDARA  
INTERNASIONAL ADISUTJIPTO**

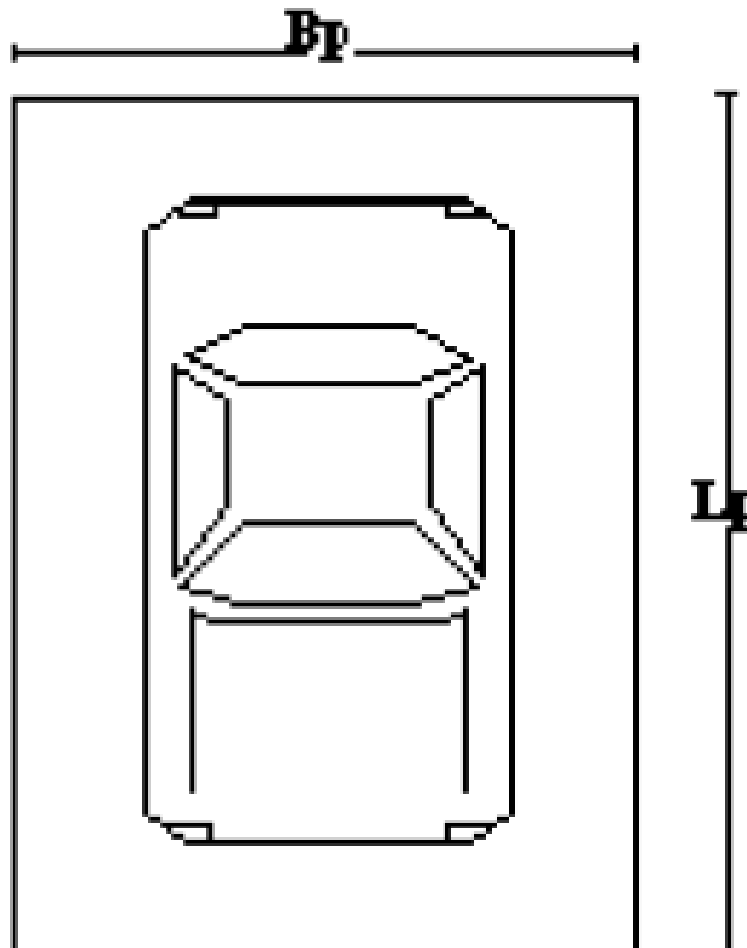
*Surveyor* : Afuah

Waktu : 09.00

Hari/tgl : Jumat/27 April 2018

Catatan : \_\_\_\_\_

Jumlah Stal : 450 SRP



$$B_p = 300 \text{ cm} = 3 \text{ m}$$

$$L_p = 500 \text{ cm} = 5 \text{ m}$$

$$\text{Luas} = (3 \times 5) + 10 = 25 \text{ m}^2$$